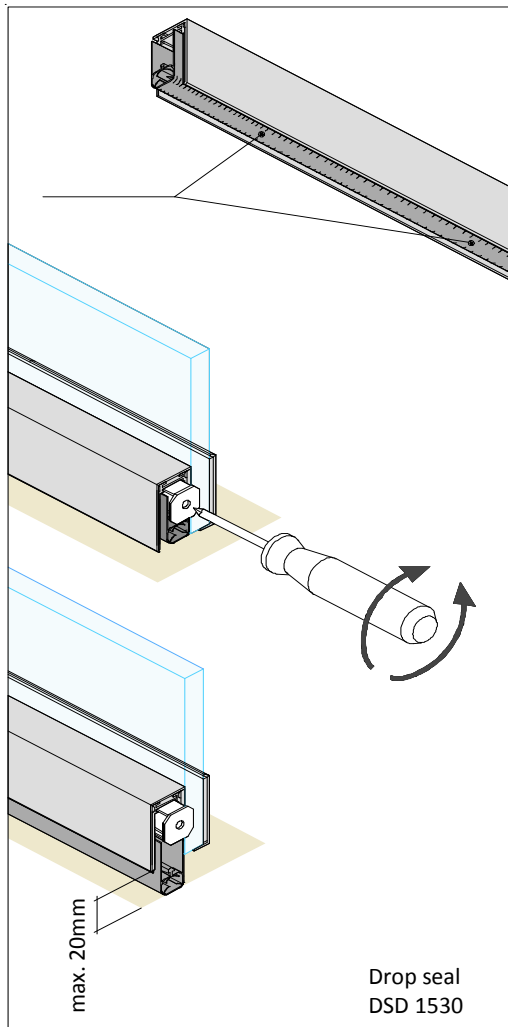


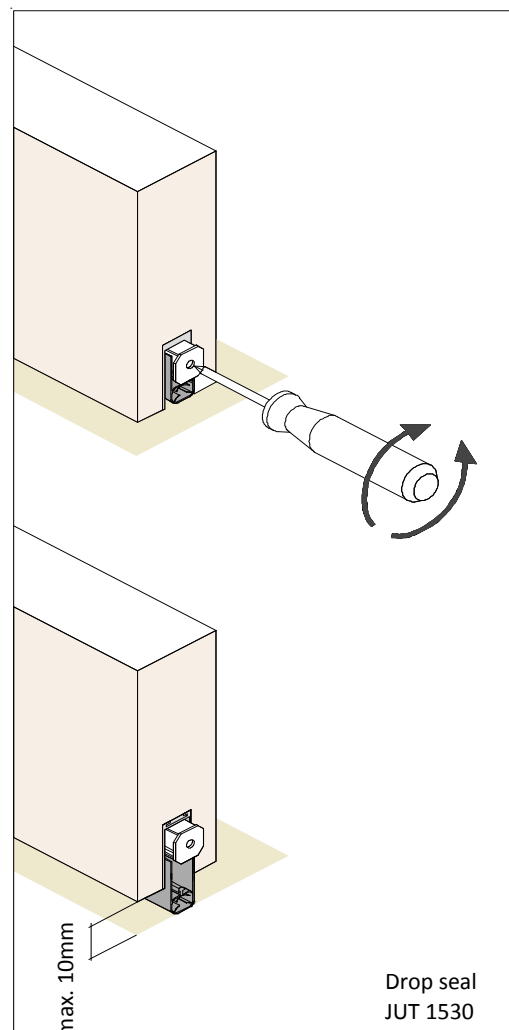
# DROP SEAL



Adjust the drop seal after installation of the door leaf in the doorframe.

The rubber must exceed the door width by 3mm. This ensures proper sealing between door and frame. The drop seal must be adjusted to be in pressure against the floor.

Insert a Phillips screwdriver in the centre of the trigger. Turn it clockwise for less pressure or anti clockwise for more pressure. Adjust the pressure as per nature of the location.



The drop seal is activated when the door leaf is in contact with the frame.

