

# TRIPLAN WALL SYSTEMS

SYSTEMTRENNWÄNDE  
SYSTEMVÆGGE

TP FIRE



Front cover photo:  
TP FIRE structure



### **TP FIRE STEEL FRAMED GLASS FRONTS**

Triplan A/S offer both classified and unclassified steel framed glass doors with adjoining sidelights that meet fire demands such as E30, E60, EI30 and EI60 as well as various sound demands and CSA smoke seal demands. Of course with an option for individual solutions, sizes and exactly the ironmongery for the doors that makes the project unique.

Our TP FIRE series is known for slim sections and aesthetic details that can stand a close inspection. The frames are surface treated as per the client's wish.

Triplan A/S produces all steel frames in-house in our own factory. We can therefore supply in high quality at short notice.

## **RAMBOLL DOMICILE**

### **2010**

In 2010 Ramboll initiated the construction of their 40,000 m<sup>2</sup> large company domicile in Copenhagen, Denmark. Domicilet er, som Rambøll selv beskriver det, indrettet som et videndelingshus med fokus på transparens og åbenhed.

The domicile is, as Ramboll describes it, designed as a knowledge sharing house with focus on transparency and openness.

Dissing+Weitling, the architects behind the project, have incorporated the Rambla-concept in the central areas of the house where extrovert functions such as café, canteen, fitness centre, lobby and auditorium are gathered to create frames for exchanges between the users of the house – employees as well as visitors.

All steel framed fire fronts for this project were supplied by Triplan A/S.



HANNEMANN







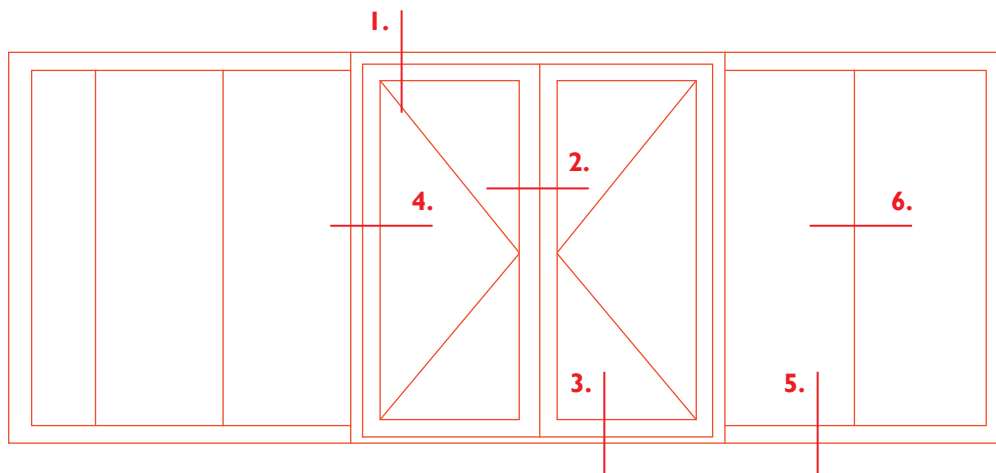




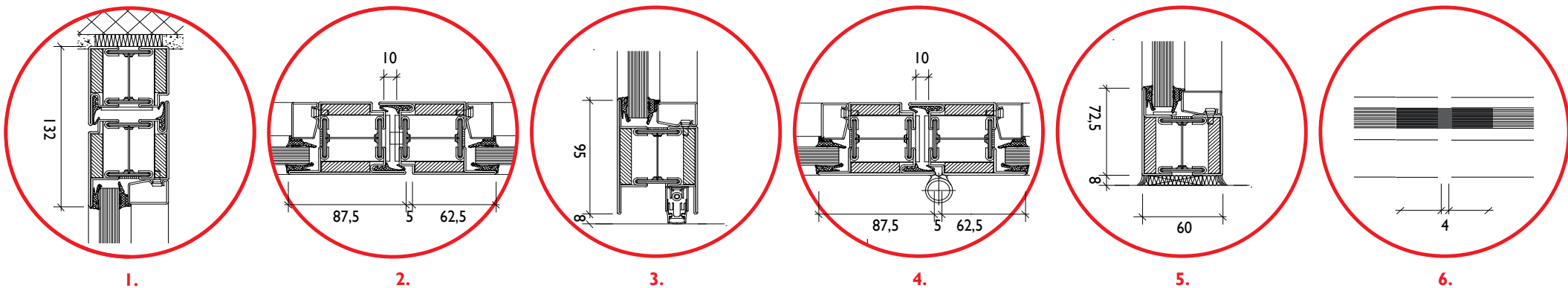
# Steel framed fire glass front type TP FIRE EI30

## TP FIRE DETAIL SUMMARY EI30

- 1. Vertical section TP Fire upper frame/head frame full height glass door EI30
- 2. Horizontal section rebate TP Fire double glass door EI30
- 3. Vertical section base frame with smoke seal TP Fire glass door EI30
- 4. Horizontal section hinge side TP Fire glass door EI30
- 5. Vertical section base frame fixed sidelight TP Fire EI30
- 6. Horizontal section intumescent tape junction Structure TP Fire EI30



\* 4 mm intumescent tape junction can be replaced by wxd=95x60 mm steel section

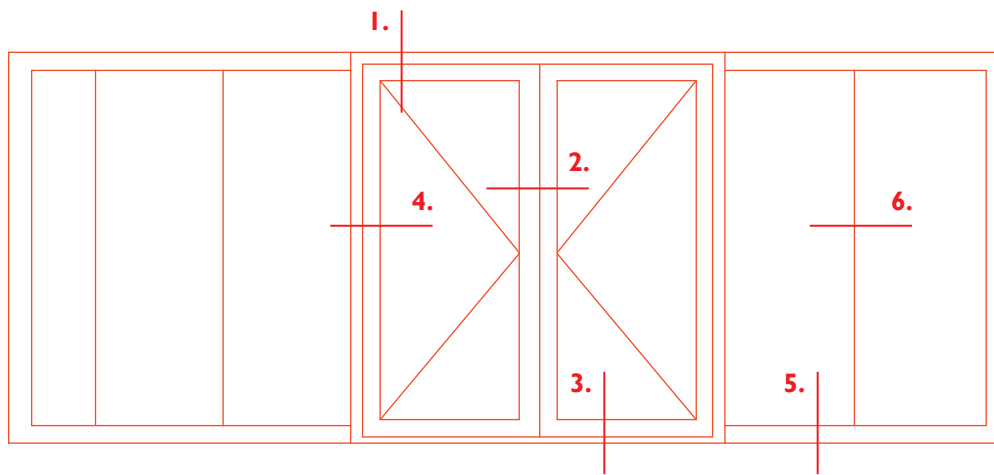




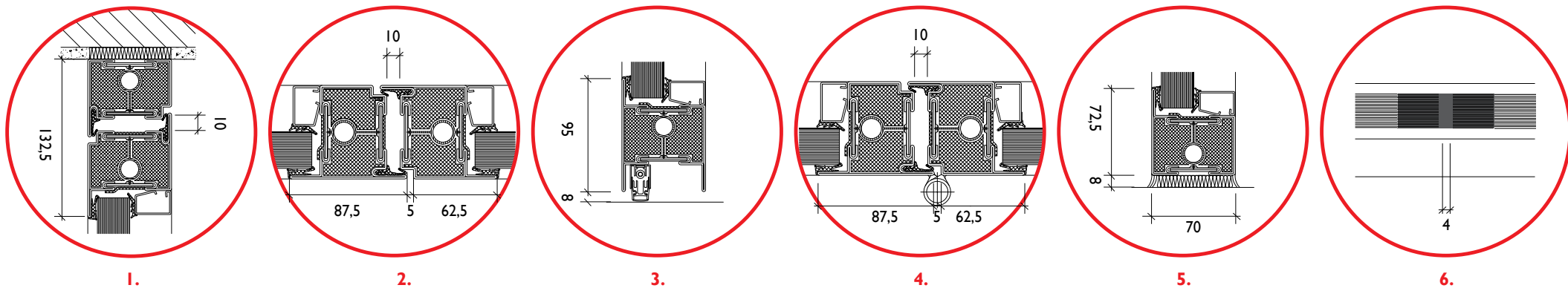
# Steel framed fire glass front type TP FIRE EI60

## TP FIRE DETAIL SUMMARY EI60

1. Vertical section TP Fire upper frame/head frame full height glass door EI60
2. Horizontal section rebate TP Fire double glass door EI60
3. Vertical section base frame TP Fire glass door EI60
4. Horizontal section hinge side TP Fire glass door EI60
5. Base frame fixed sidelight TP Fire EI60
6. Horizontal section intumescent tape junction Structure TP Fire EI60



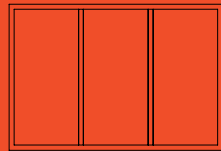
\* 4 mm intumescent tape junction can be replaced by wxd=95x70 mm steel section







# PARTITION OVERVIEW



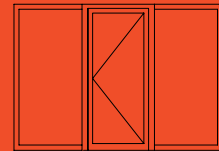
Tape jointed glass front in brick wall opening



Door



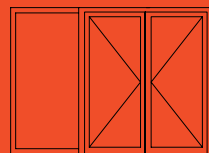
Door with sidelight



Door with 2 sidelights



Double door



Double door with sidelight



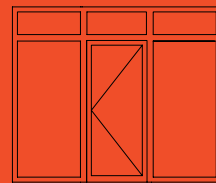
Double door with 2 sidelights



Door with over glass



Door with sidelight and over glass



Door with 2 sidelights and over glass



Double door with over glass



Double door with sidelight and over glass



Double door with 2 sidelights and over glass

| Wall type TP FIRE      | Thickness, glass | Weight, glass | Sound reduction RW dB*, glass | Fire classification |
|------------------------|------------------|---------------|-------------------------------|---------------------|
| TP Fire EI30           | 16-22            | 34-49         | 38-42**                       | EI30***             |
| TP Fire EI30 structure | 23-28            | 52-64         | 42                            | EI30***             |
| TP Fire EI60           | 25-35            | 52-72         | 41-43                         | EI60****            |
| TP Fire EI60 structure | 31-41            | 69-94         | 43**                          | EI60****            |

\*\* Calculated values

\*\*\* Constructed using Jansen Janisol 2 EI30

\*\*\*\* Constructed using Jansen Janisol C4 EI60



**TRIPLAN**  
**WALL SYSTEMS**

