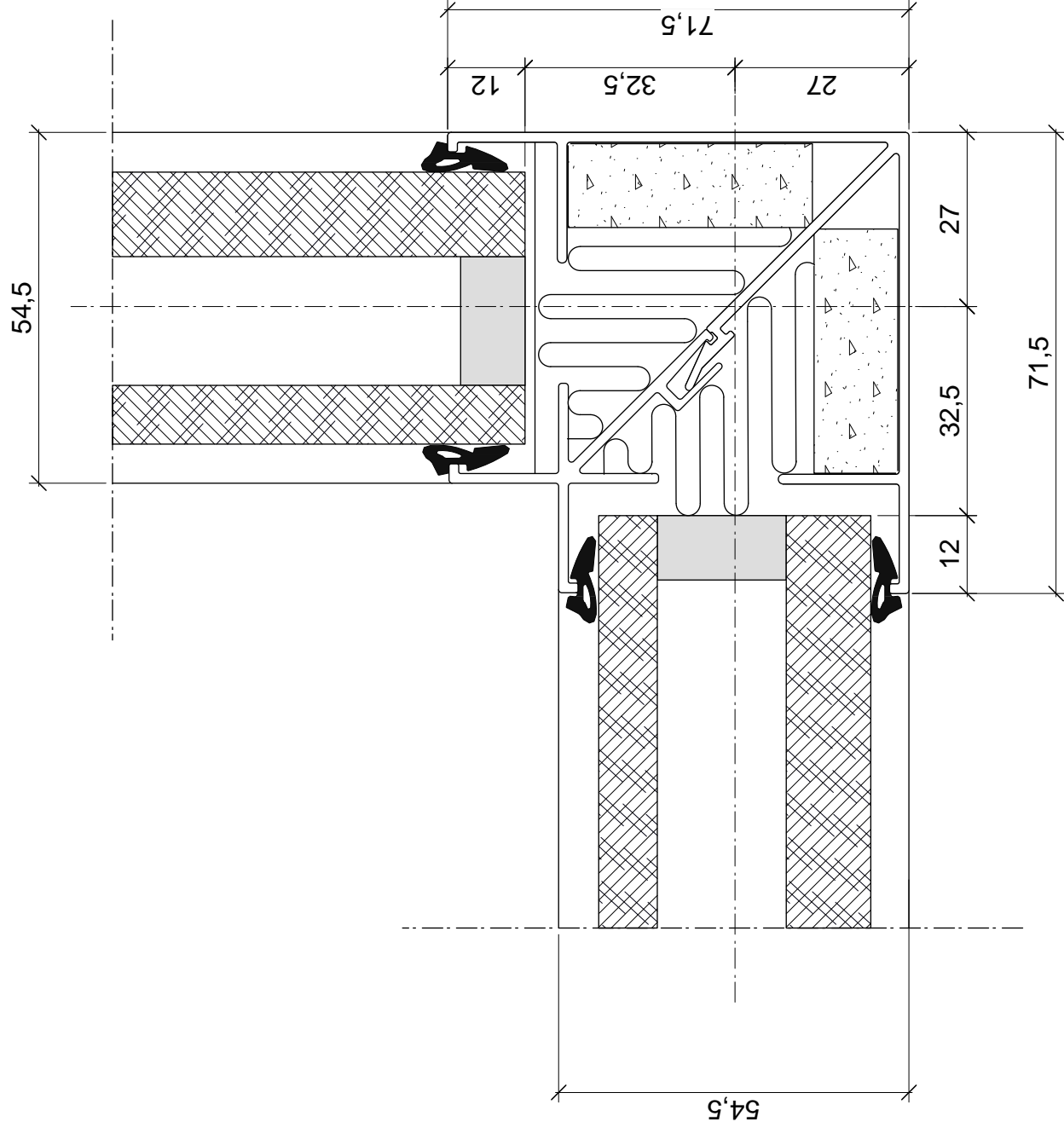
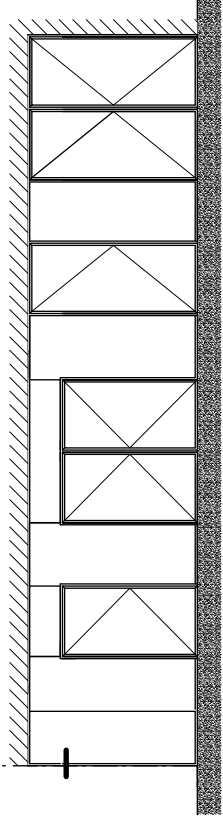
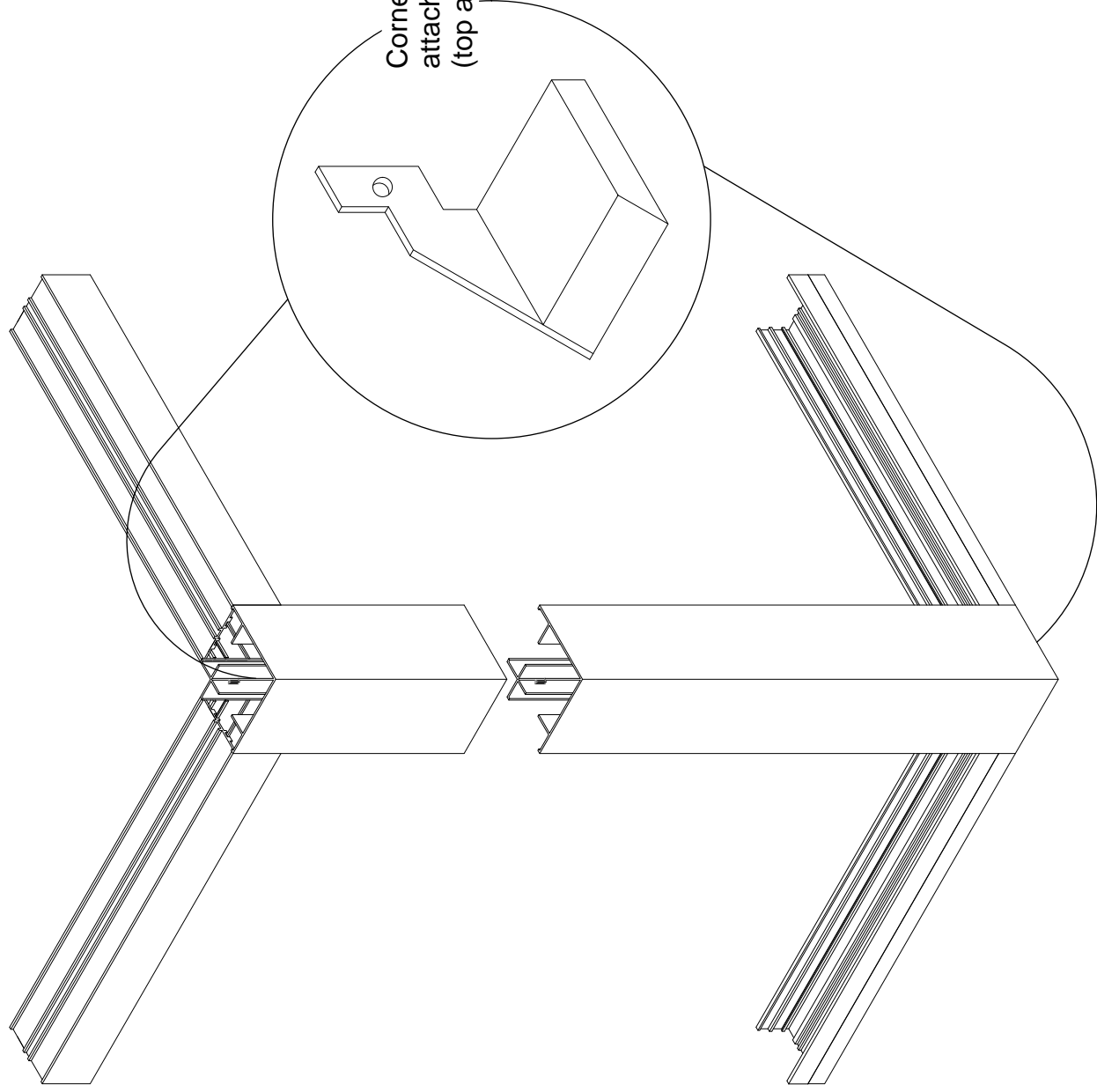


90°




Corner fitting-
attaching a corner profile
(top and bottom)



Materials Used		
Item no.	Item	Dimension
13447	Tightening strip	3-4mm
19605	90° Corner, exterior element	
19606	90° Corner, interior element	
19644	Insulation	20x60mm
1500750	Plaster strip	12,5x40mm
19640080004	Corner fittings	

Remarks:

Revisions:

 OFFICE PARTITIONS	Case:	321.79.1001
	Subject: TP Acoustoc Corner joint - 90°	Draw. no.:
		Scale: 1:1
		Date: 20.05.15_bn
		Rev. date: 07.04.16_bn
Triplan International A/S - Industriskellet 12, 2635 Ishøj - Phone: 4353 9999, Fax: 4353 8888 - www.triplan.net, tech@triplan.net		