

Refer to
assembly
instructions at
www.triplan.net

How to fit an

OVER PANEL

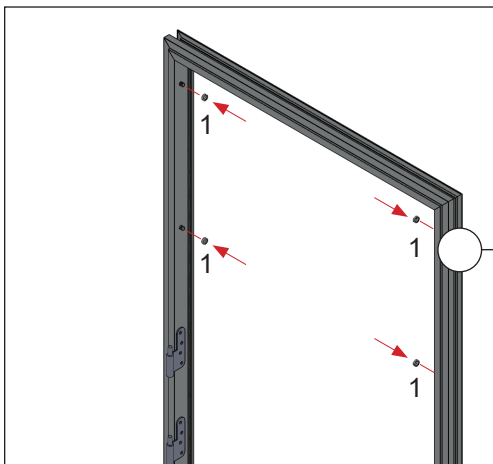

DANISH QUALITY

OVERPANEL IN TRIPLAN LITE® FRAME – HOW TO FIT IT

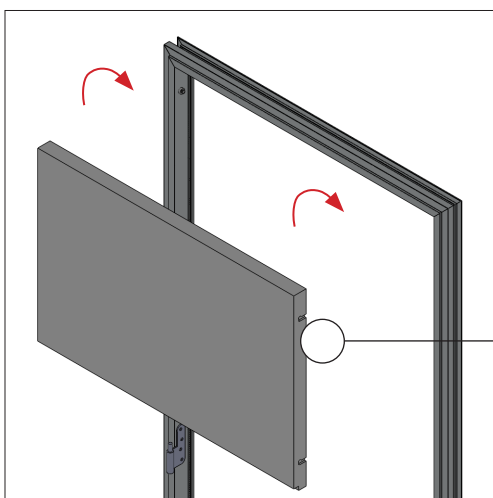
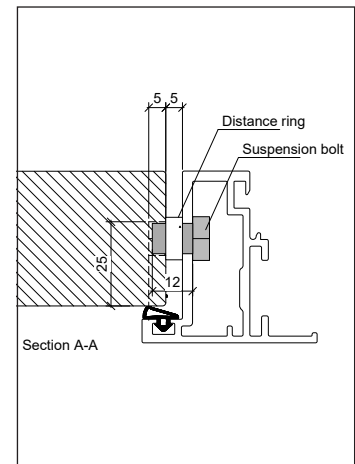
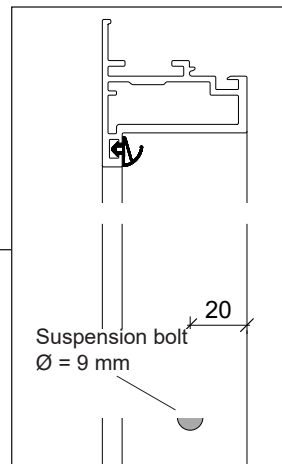
Triplan's sandwich glass doors and solid doors are optionally available with an over panel that is easily fitted on site. The frame comes with suspension bolts and the over panel is foreseen with millings in the sides.

FITTING OF OVER PANEL

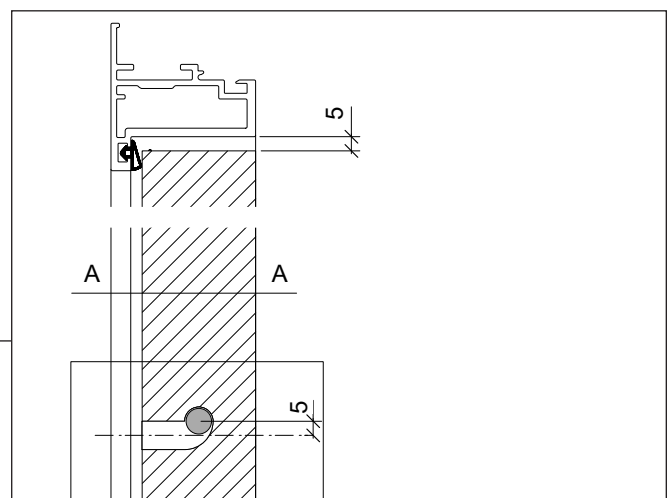
1. Frame with prefitted suspension bolts is assembled as per the assembly instruction
2. Fit distance rings (1) on the suspension bolts. Illustration 1
3. Lift the over panel into position and lower it on to the suspension bolts until the over panel is "locked" in the correct position. Illustration 2



III. 1



III. 2

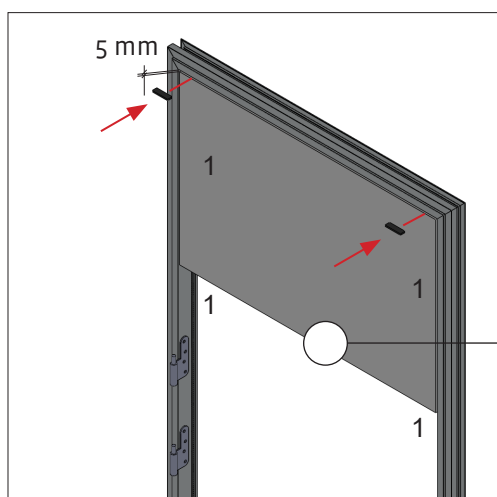


Fitting of overpanel

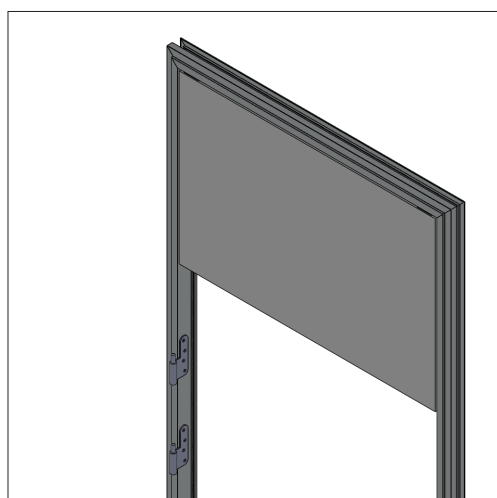
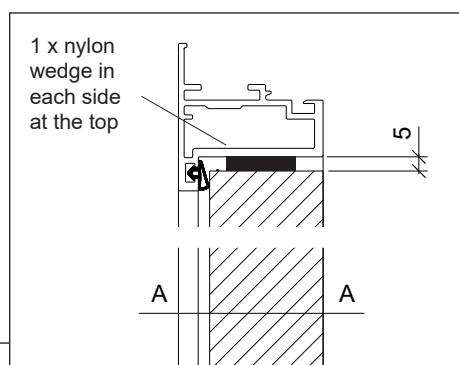
Dato: Jan. 29th 2020

4. Adjust until the gap between the over panel and the upperframe = 5 mm.
5. Insert 1 x nylon wedge at each side of the upper groove to prevent the over panel from being accidentally lifted (1). III. 3
6. Push the nylon wedges as deep into the groove as possible to hide them and secure them using wet silicone.

(Refer also to assembly instruction article 1791000000, 1791100000, 1791200000, 1791300000)



III. 3



III. 4

Fitting of overpanel

Dato: Jan. 29th 2020