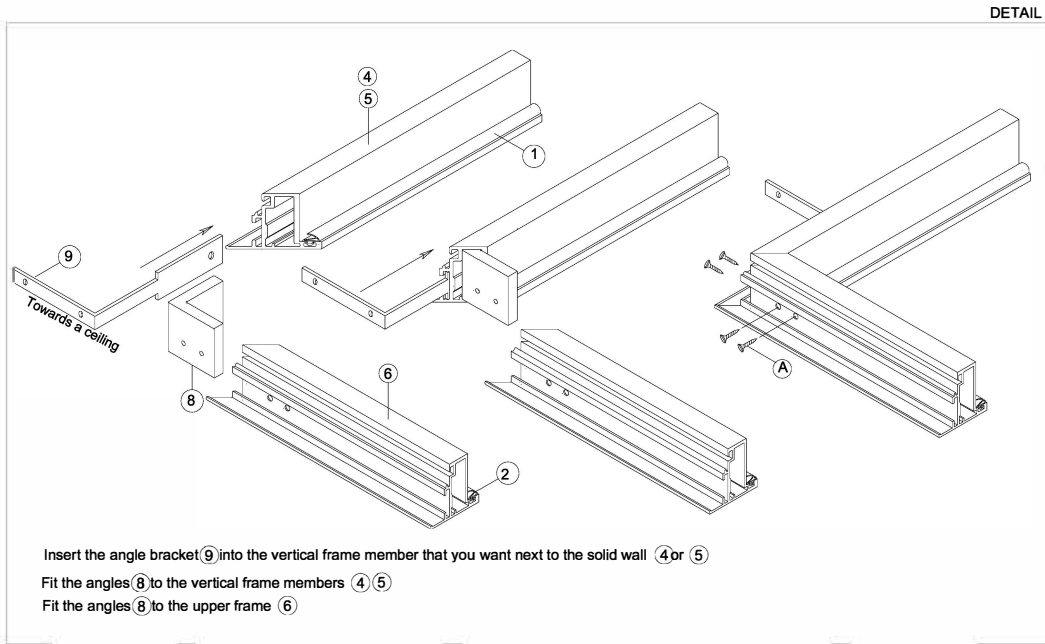
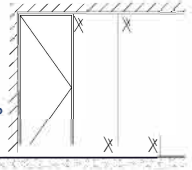


1D

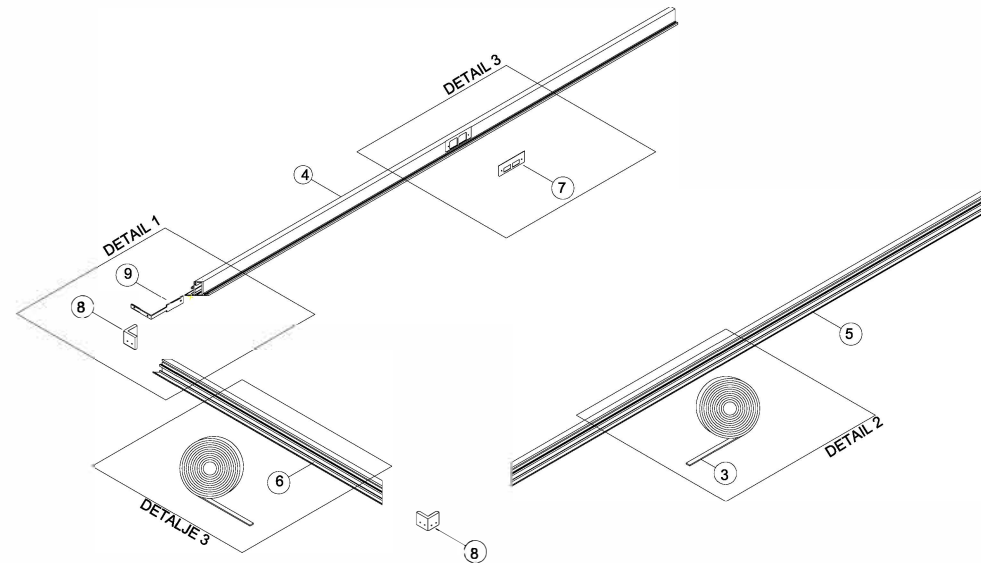
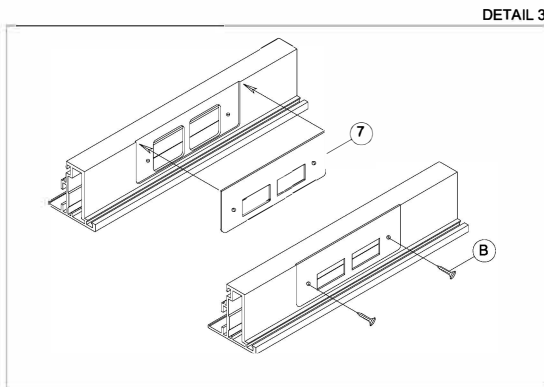
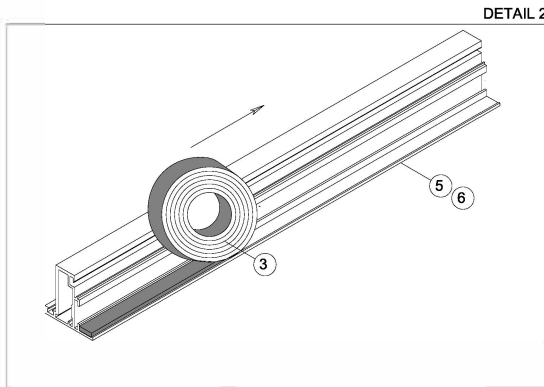
TRIPLAN LITE® 34 - 43 dB

Installation guide for a full height T frame, next to a solid wall with glass modules on the other side - phase 1:

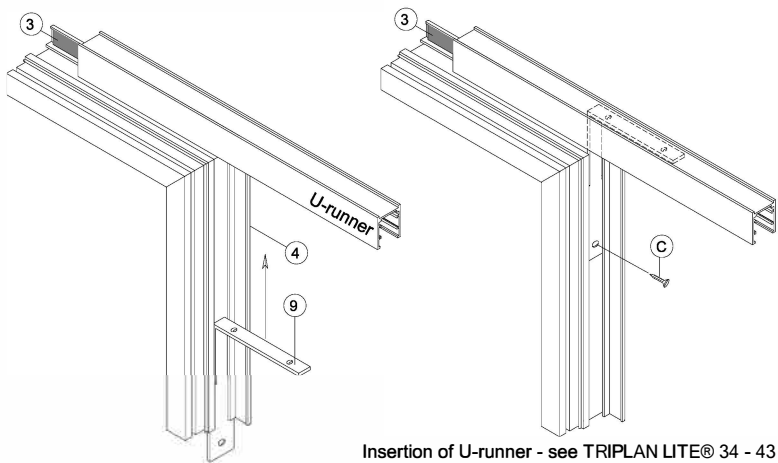
- fixation of hinges, strike plate, acoustic tape and assembly of the T- frame



-
- ② Door tape
 - ③ Acoustic tape 2x14 mm
 - ④ T- frame, strike plate side, 1 pcs.
 - ⑤ T- frame, hinge side, 1 pcs.
 - ⑥ T- frame, upper frame, 1 pcs.
 - ⑦ Strike plate, 1 pcs.
 - ⑧ Angle for joining of corners, 2 pcs.
 - ⑨ Angle bracket, 1 pcs.
 - Ⓐ Screw 5x16 mm, 8 pcs.
 - Ⓑ Screw 3x6 mm, 2 pcs.

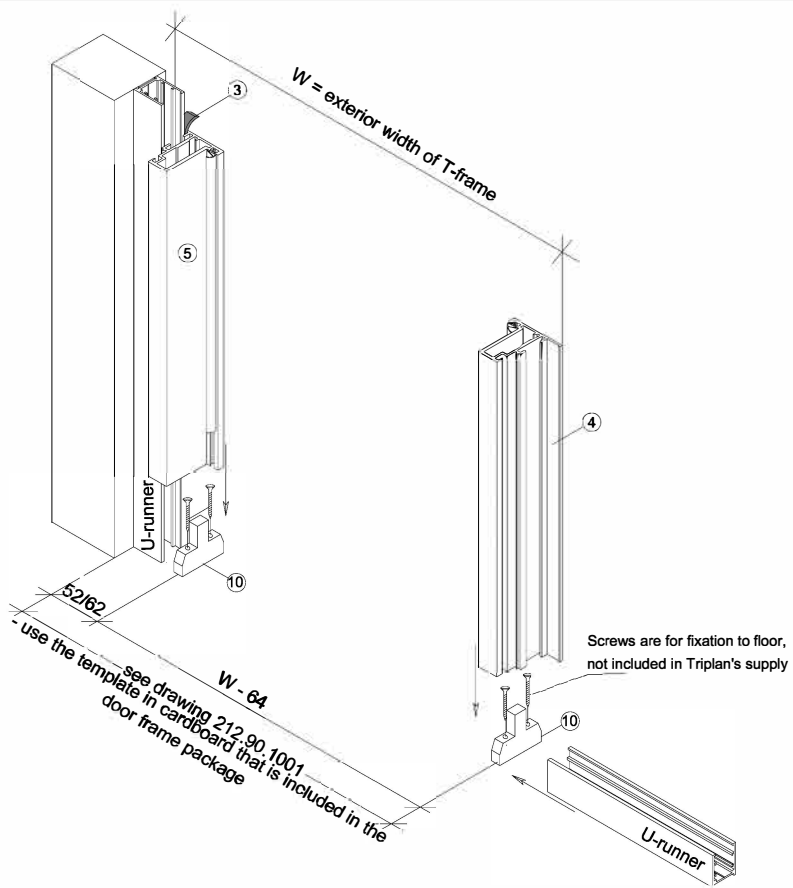


DETAIL 4



Insertion of U-runner - see TRIPLAN LITE® 34 - 43 dB installation guide

DETAIL 5



Insertion of U-runner - see TRIPLAN LITE® 34 - 43 dB installation guide

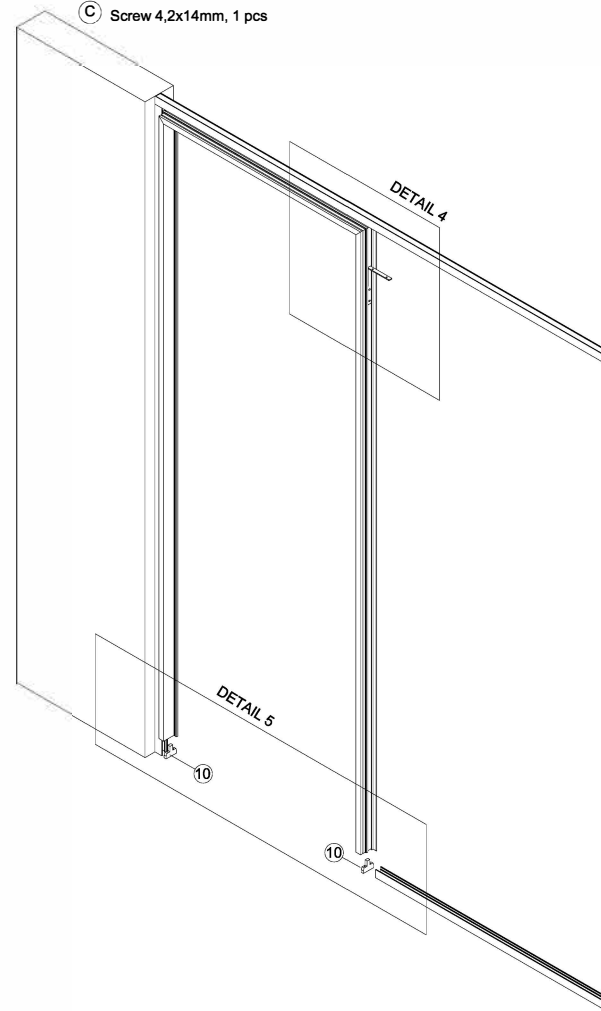
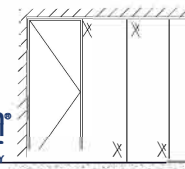
TRIPLAN LITE® 34 - 43 dB

Installation guide for a full height T frame, next to a solid wall with glass modules on the other side - phase 2:

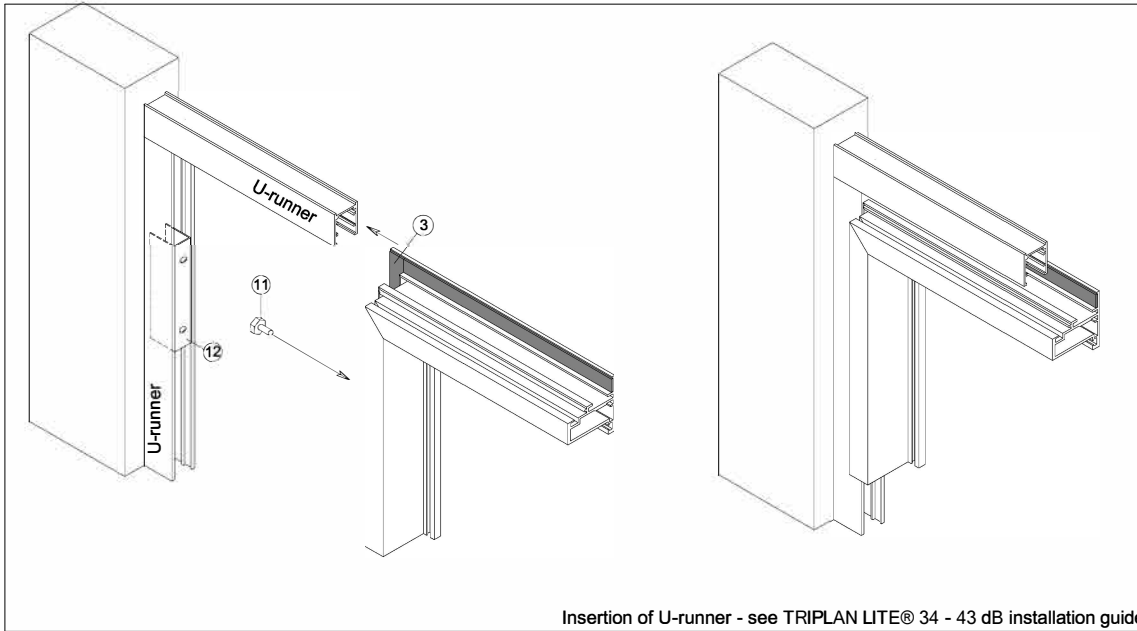
- fixation of floor brackets
- fixation of T - frame to the ceiling - use angle bracket

- 9 Angle bracket, 1 pcs.
- 10 Floor bracket, 2 pcs
- C Screw 4,2x14mm, 1 pcs

2D

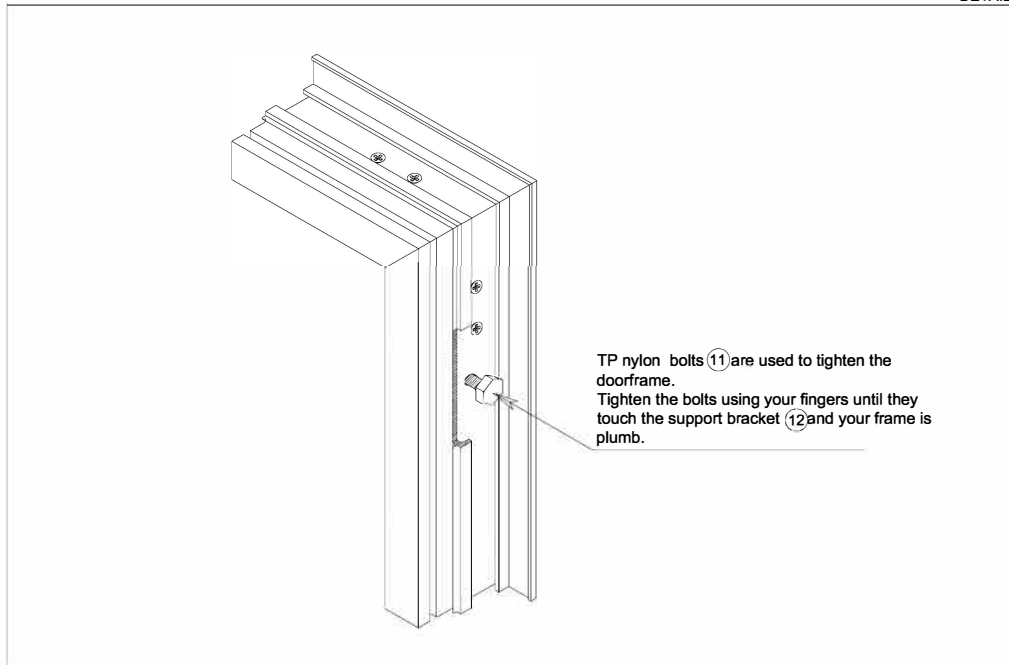


DETAIL 6



Insertion of U-runner - see TRIPLAN LITE® 34 - 43 dB installation guide

DETAIL 6

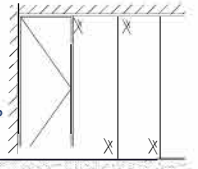


TRIPLAN LITE® 34 - 43 dB

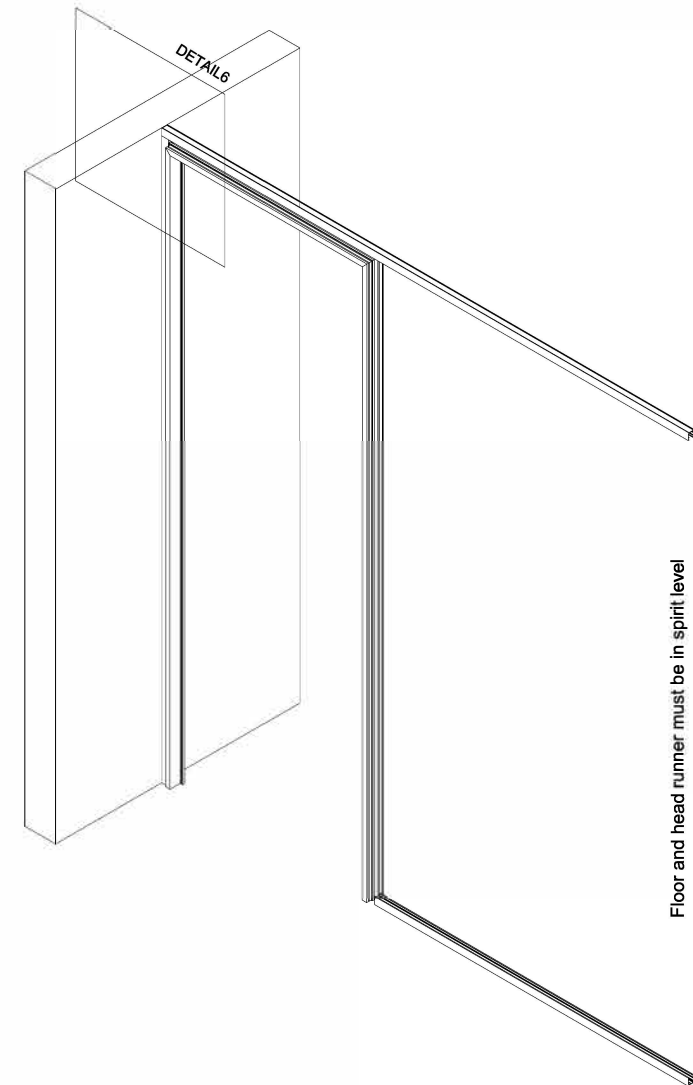
Installation guide for a full height T frame, next to a solid wall with glass modules on the other side - phase 3:

- adjustment of the T- frame
- fixation of the T- frame to the solid wall - use pre-drilled holes and angle bracket

- ① TP M8 nylon bolt, 1 pcs
- ⑫ Support bracket for TP nylon bolt, 1 pcs
- Ⓒ Screw 4,2x14mm, 1 pcs



3D

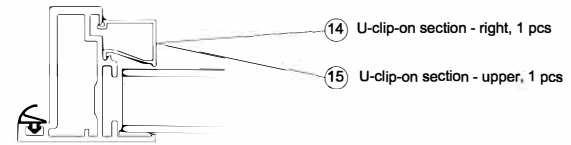
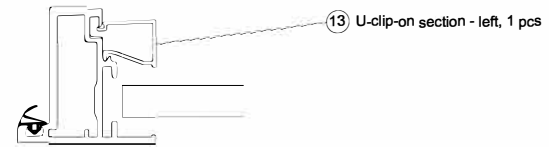


4D

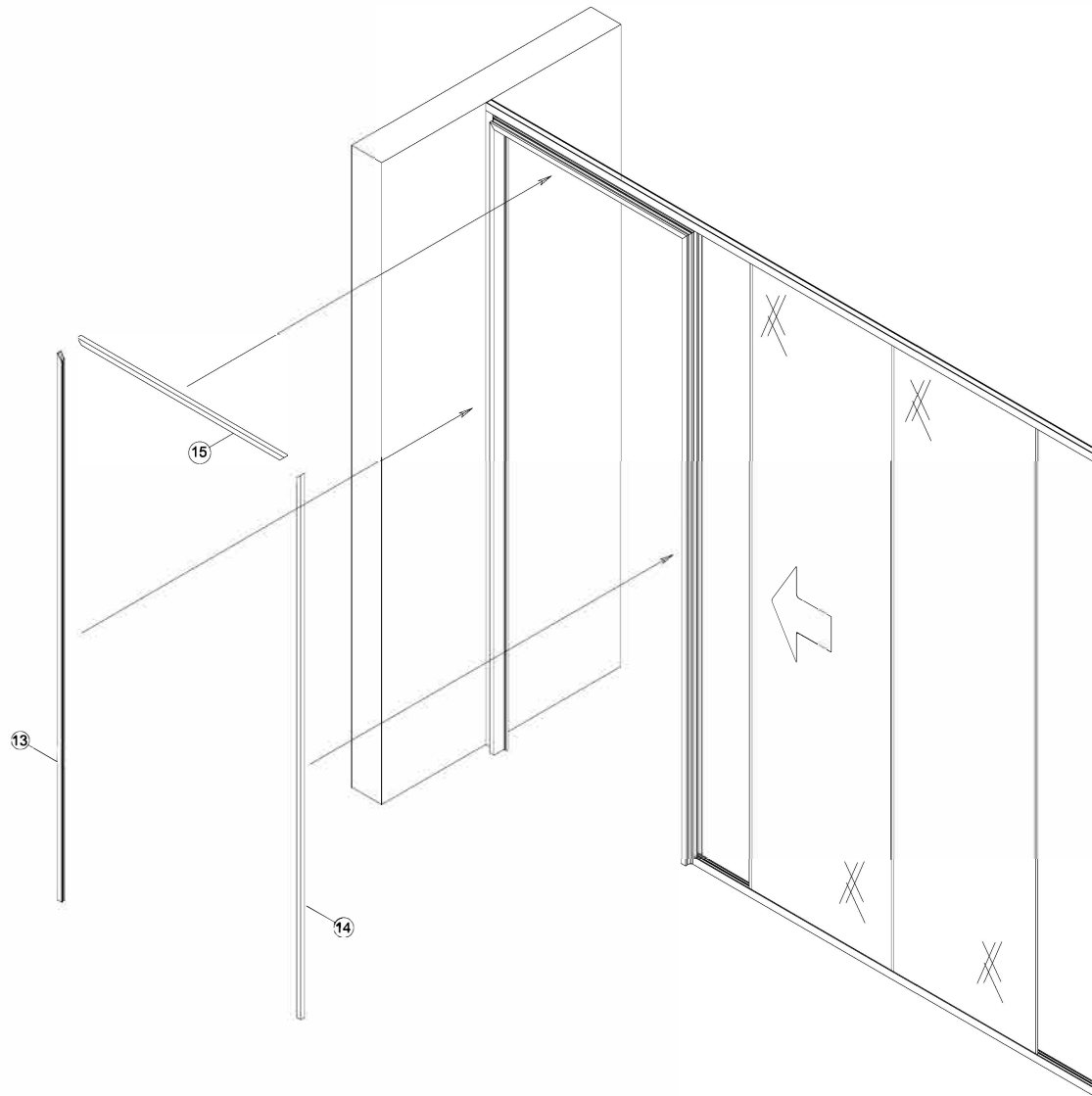
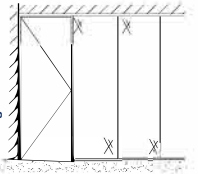
TRIPLAN LITE® 34 - 43 dB

Installation guide for a full height T frame, next to a solid wall with glass modules on the other side - phase 4:

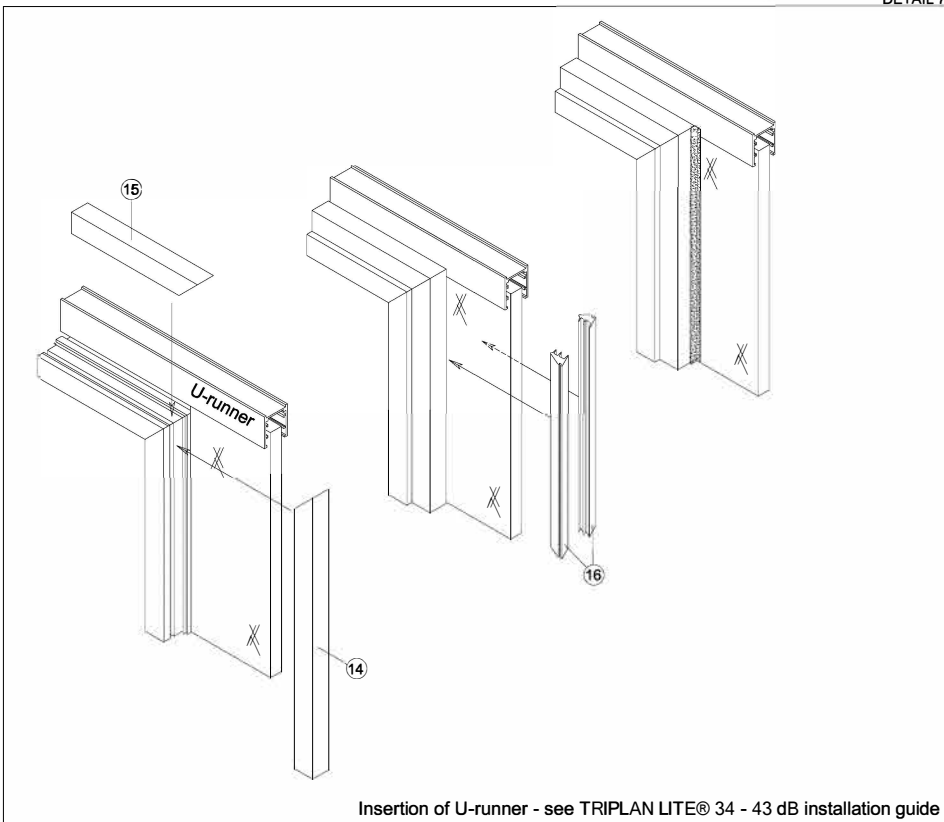
- adjacent glass modules and fitting of u-clip-on sections



Triplan®
DANISH QUALITY



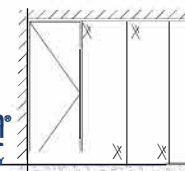
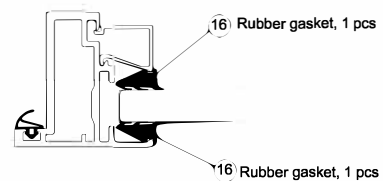
DETAIL 7



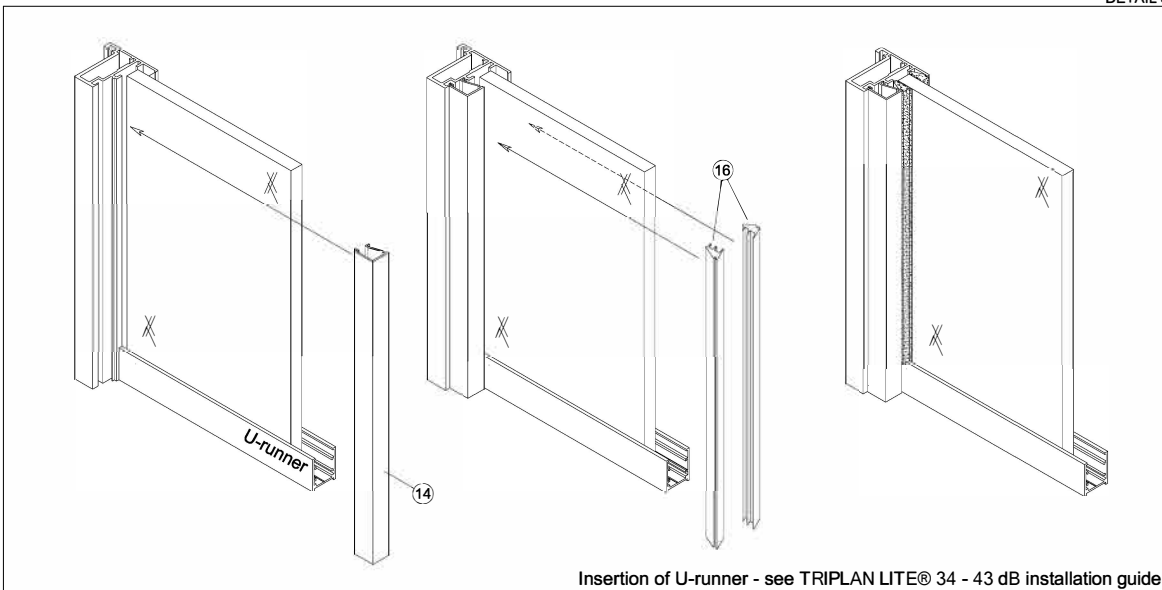
Insertion of U-runner - see TRIPLAN LITE® 34 - 43 dB installation guide

TRIPLAN LITE® 34 - 43 dB
 Installation guide for a full height T frame, next to a solid wall
 with glass modules on the other side - phase 5:
 -fitting of rubber gaskets

5D



DETAIL 8



Insertion of U-runner - see TRIPLAN LITE® 34 - 43 dB installation guide

