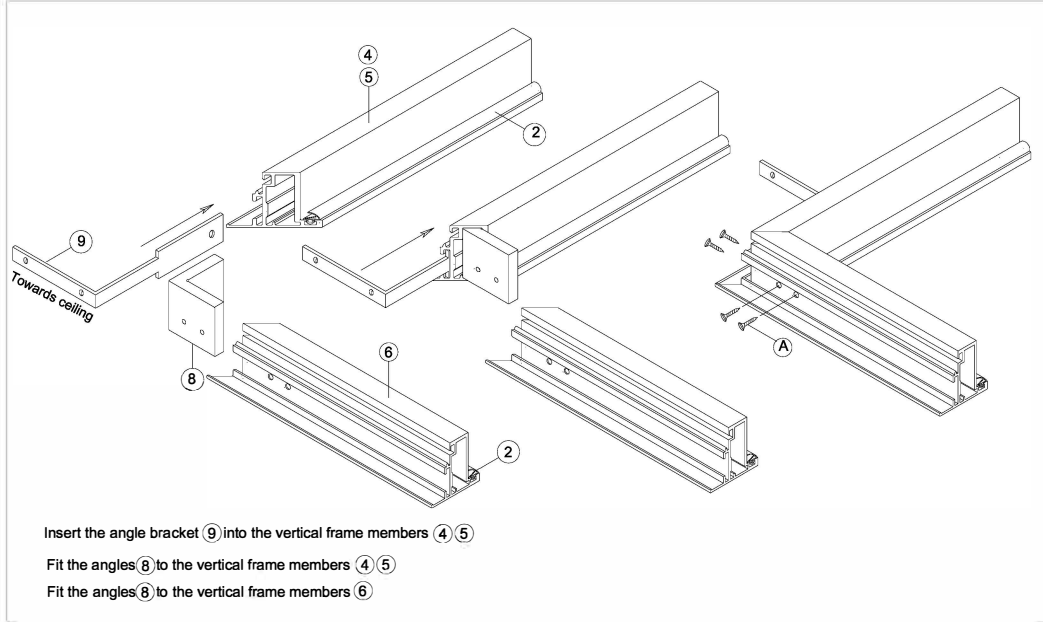
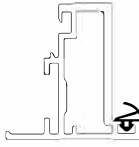


DETAIL 1



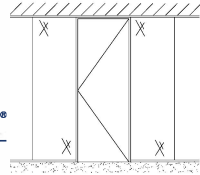
**TRIPLAN LITE® 34 - 43 dB**

Installation guide for a full height T - frame with glass modules on both sides - phase 1:  
 - fixation of hinges, strike plate and assembly of the T - frame

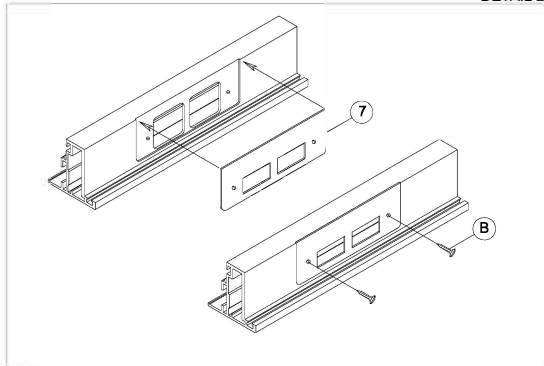


- 2 Door tape
- 3 Acoustic tape 2x14 mm
- 4 T - frame, strike plate side, 1 pcs.
- 5 T - frame, hinge side, 1 pcs.
- 6 T - frame, upper frame, 1 pcs.
- 7 Strike plate, 1 pcs.
- 8 Angle for joining of corners, 2 pcs.
- 9 Angle bracket, 2 pcs.
- A Screw 5x16 mm, 8 pcs.
- B Screw 3x6 mm, 2 pcs.

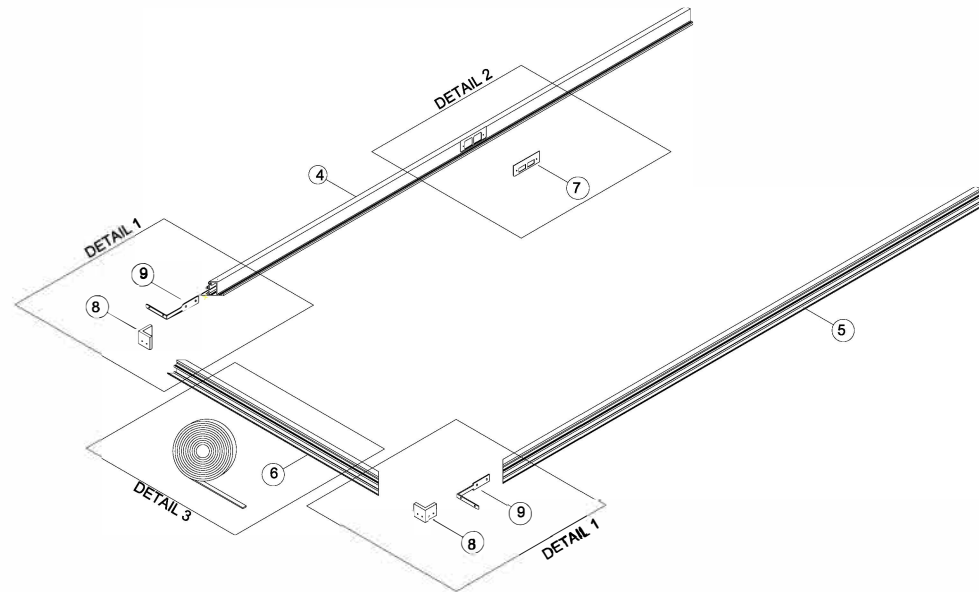
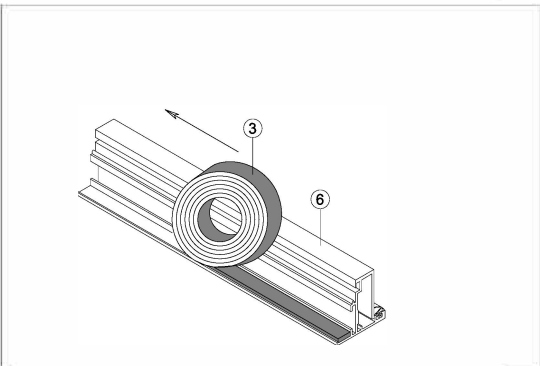
1B

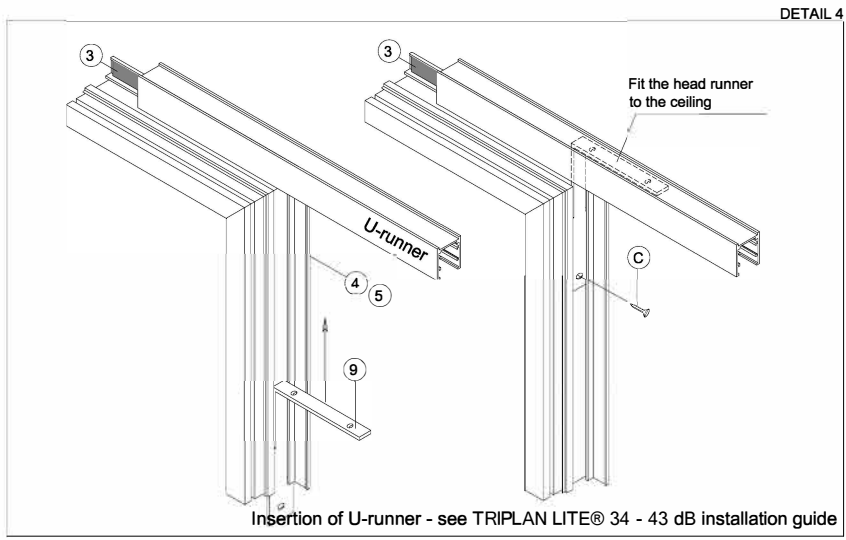


DETAIL 2



DETAIL 3





### TRIPLAN LITE® 34 - 43 dB

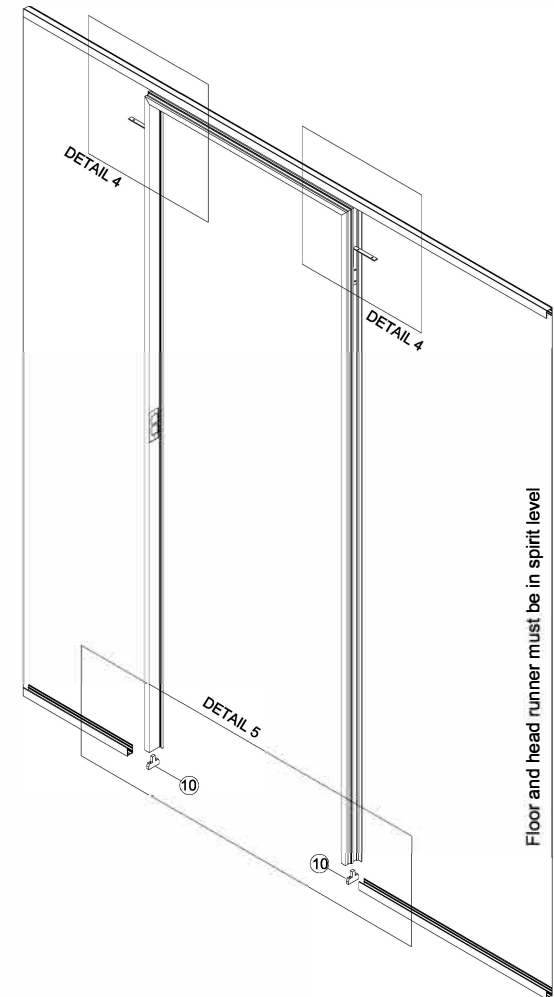
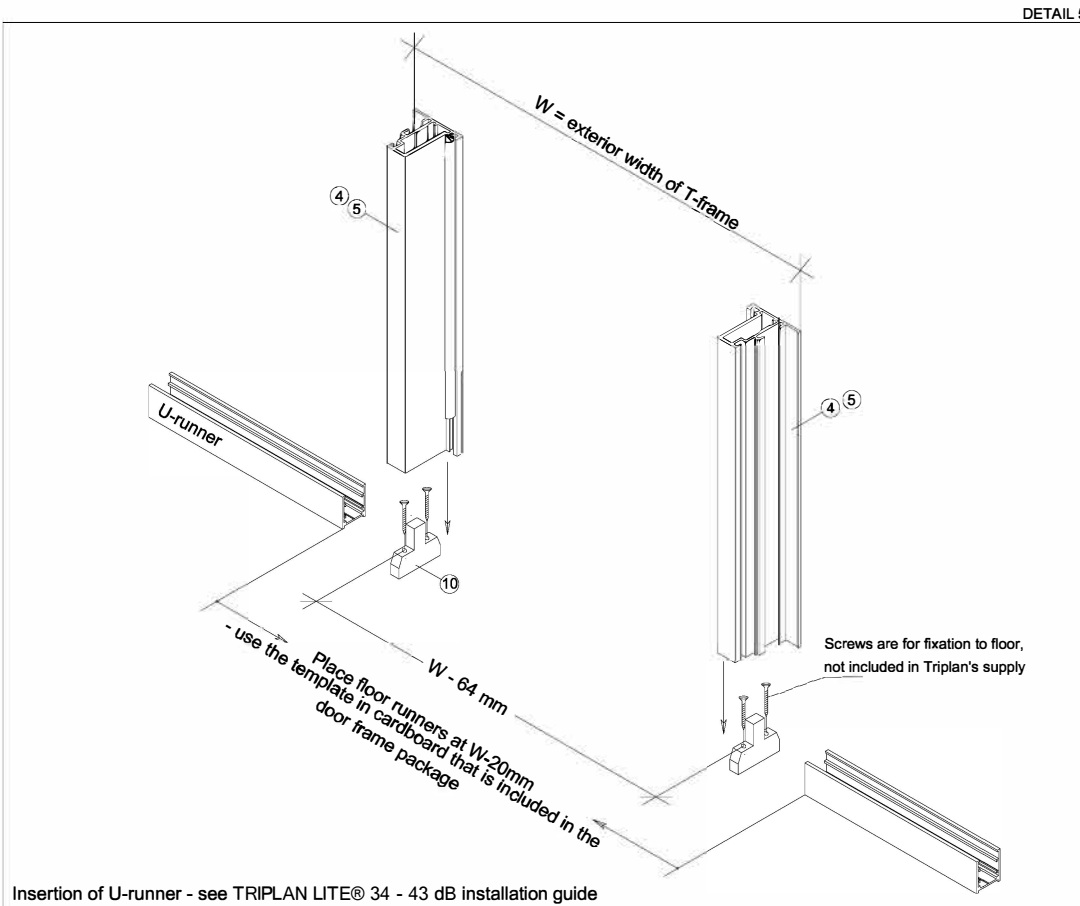
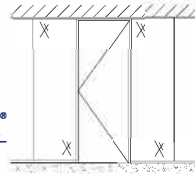
Installation guide for a full height T - frame with glass modules on both sides - phase 2:

- fixation of floor bracket and assembly of T - frame in a TP Lite wall
- fixation of the T- frame to a ceiling - use angle bracket

- ⑨ Angle bracket, 2 pcs.
- ⑩ Floor bracket, 2 pcs
- Ⓒ Screw 4,2x14 mm, 1 pcs



# 2B

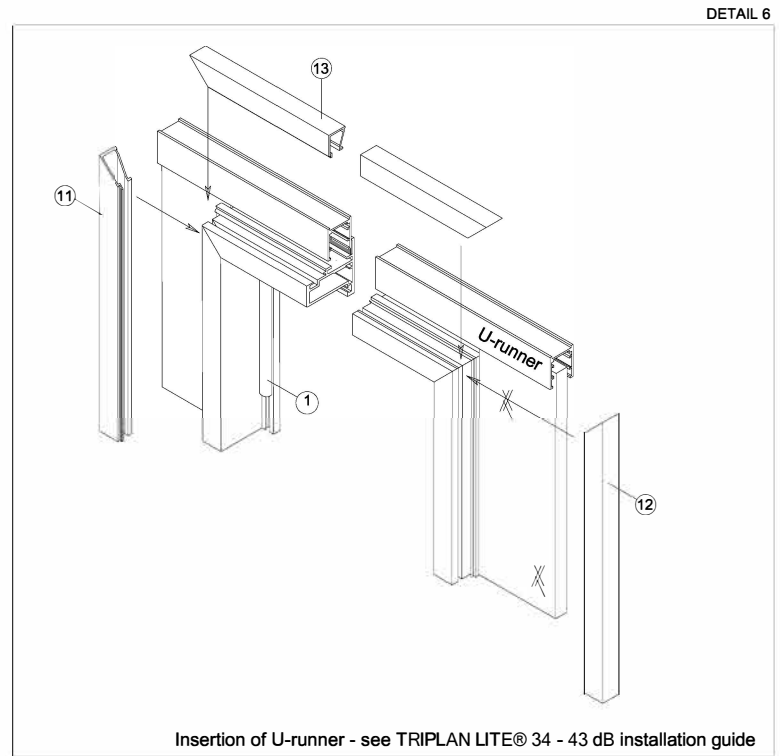
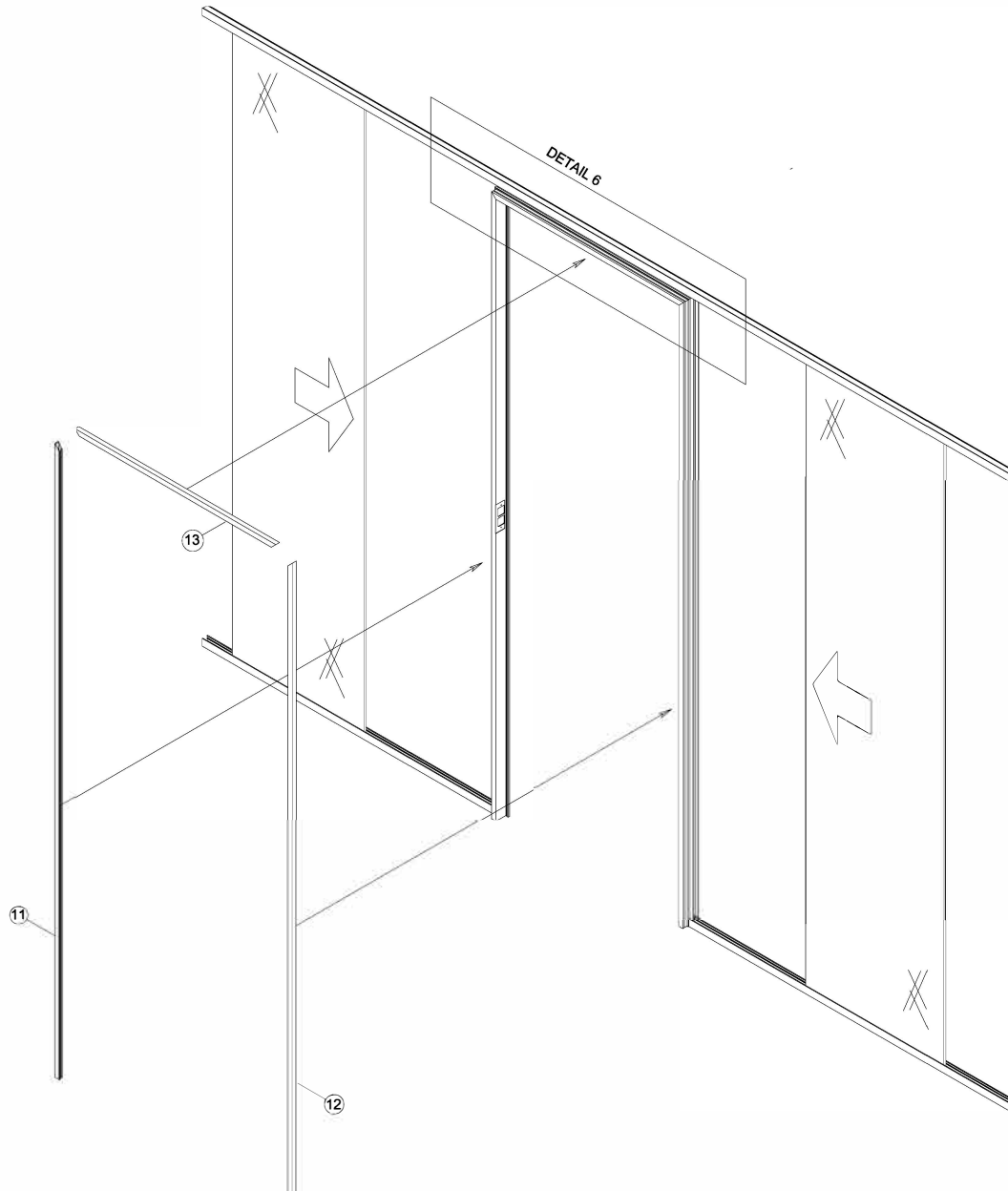
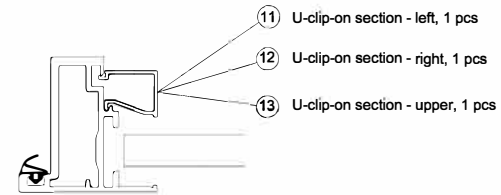
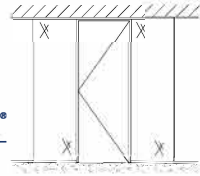


# 3B

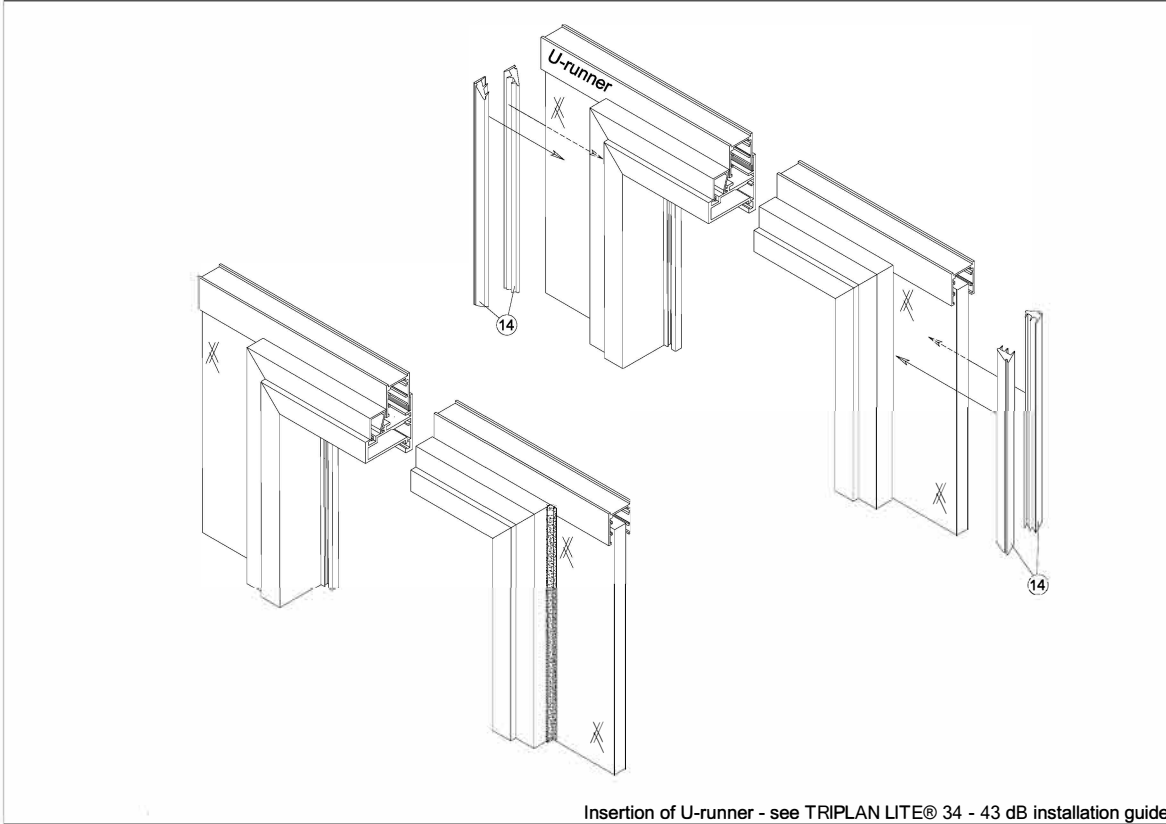
## TRIPLAN LITE® 34 - 43 dB

Installation guide for a full height T - frame with glass modules on both sides - phase 3:

- adjacent glass modules and fitting of u-clip-on sections

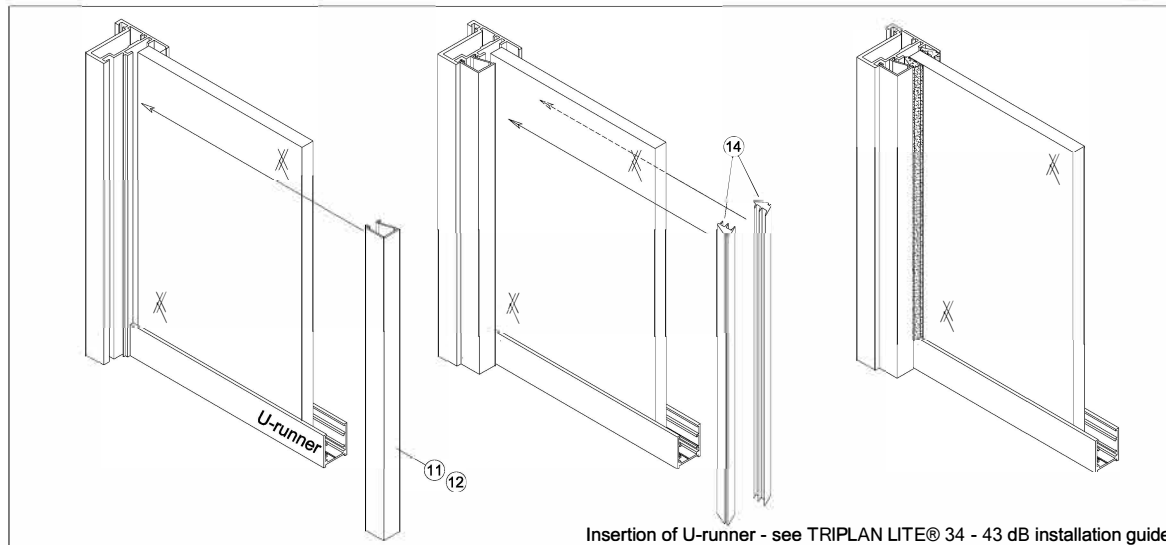


DETAIL 6



Insertion of U-runner - see TRIPLAN LITE® 34 - 43 dB installation guide

DETAIL 7

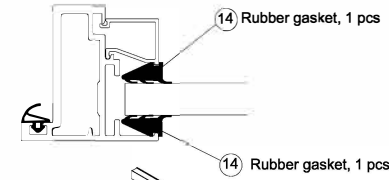


Insertion of U-runner - see TRIPLAN LITE® 34 - 43 dB installation guide

### TRIPLAN LITE® 34 - 43 dB

Installation guide for a full height T - frame with glass modules on both sides - phase 4:

- fitting of rubber gaskets



# 4B

