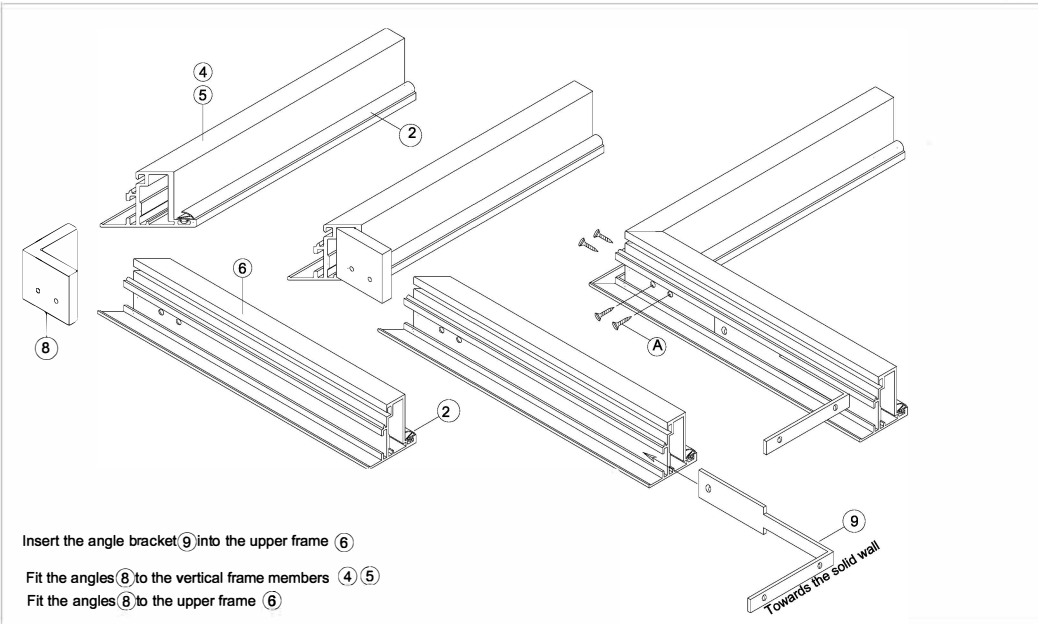


DETAIL 1



Insert the angle bracket (9) into the upper frame (6)

Fit the angles (8) to the vertical frame members (4) (5)

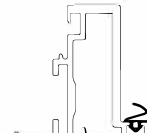
Fit the angles (8) to the upper frame (6)

Towards the solid wall

TRIPLAN LITE® 34 - 43 dB

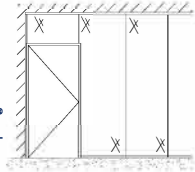
Installation guide for a T-frame with the glass above the door frame next to a solid wall - phase 1:

- fixation of hinges, strike plate, acoustic tape and assembly of the T - frame

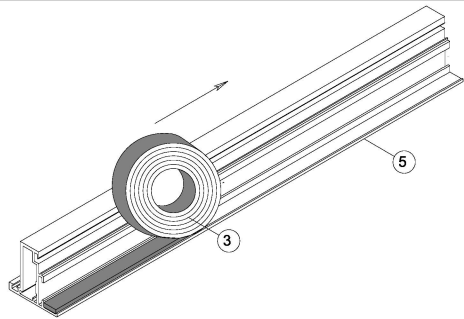


- ② Door tape
- ③ Acoustic tape 2x14 mm
- ④ T- frame, strike plate side, 1 pcs.
- ⑤ T- frame, hinge side, 1 pcs.
- ⑥ T- frame, upper frame, 1 pcs.
- ⑦ Strike plate, 1 pcs.
- ⑧ Angle for joining of corners, 2 pcs.
- ⑨ Angle bracket, 1 pcs.
- Ⓐ Screw 5x16 mm, 8 pcs.
- Ⓑ Screw 3x6 mm, 2 pcs.

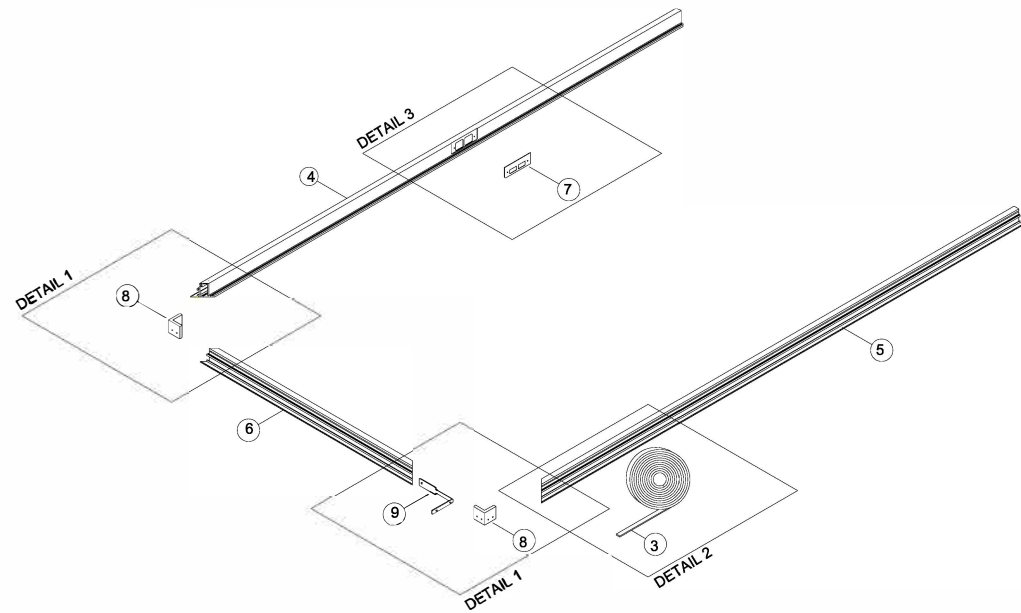
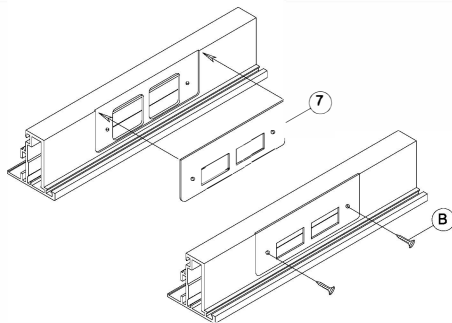
1C

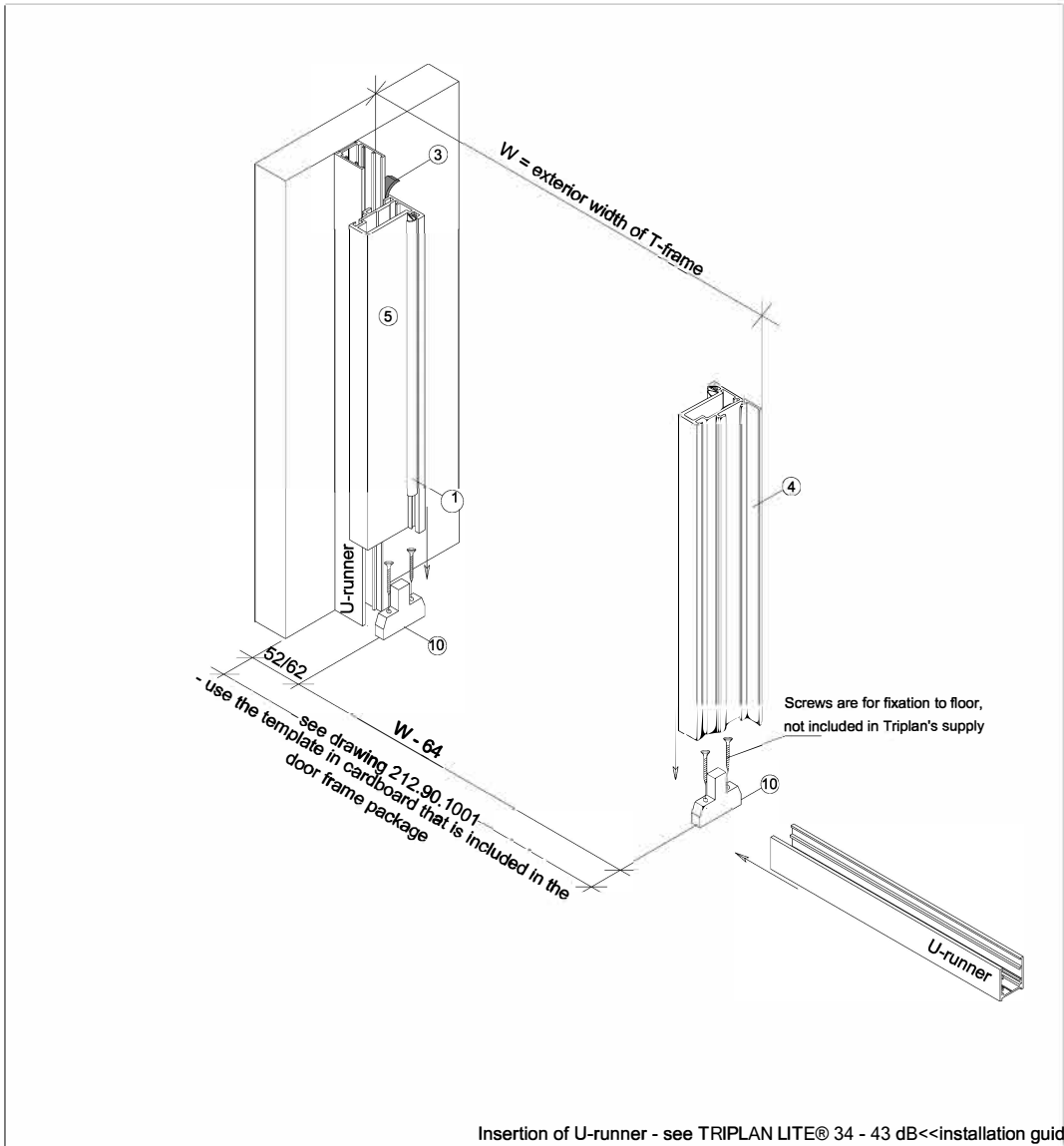


DETAIL 2



DETAIL 3





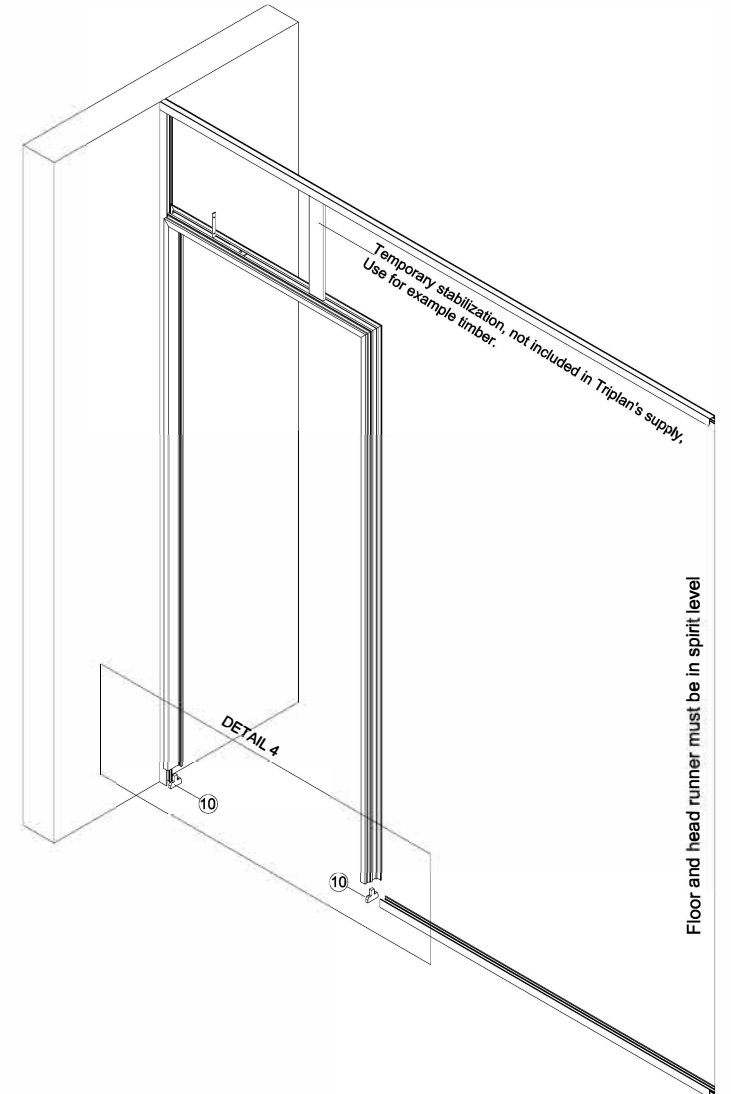
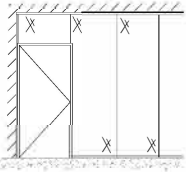
Insertion of U-runner - see TRIPLAN LITE® 34 - 43 dB<<installation guide

TRIPLAN LITE® 34 - 43 dB
 Installation guide for a T-frame with the glass above the door frame
 next to a solid wall - phase 2:

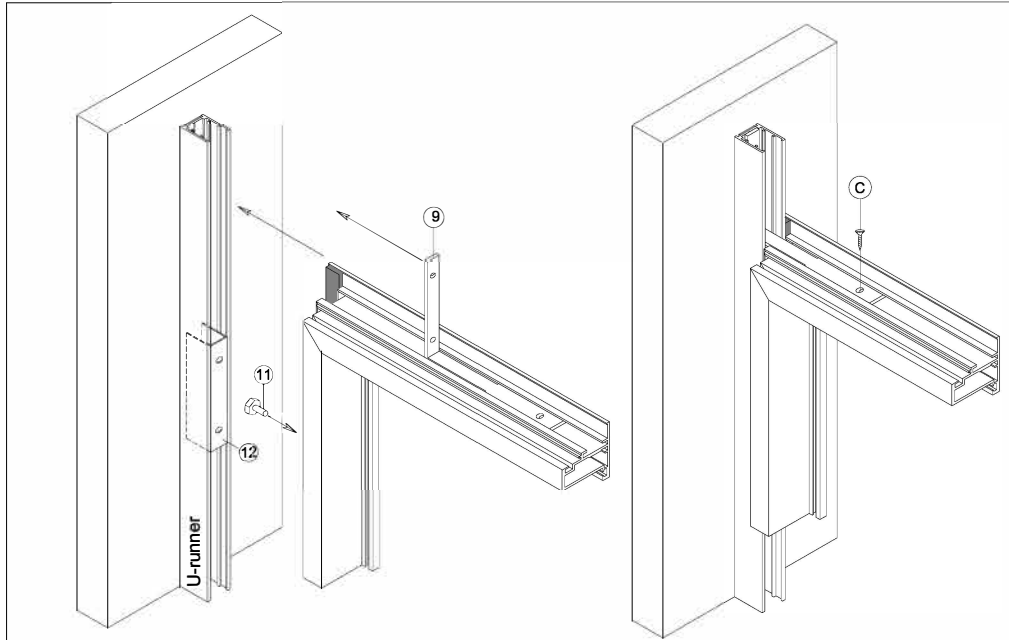
- fixation of floor brackets

- ⑩ Floor bracket, 2 pcs

2C

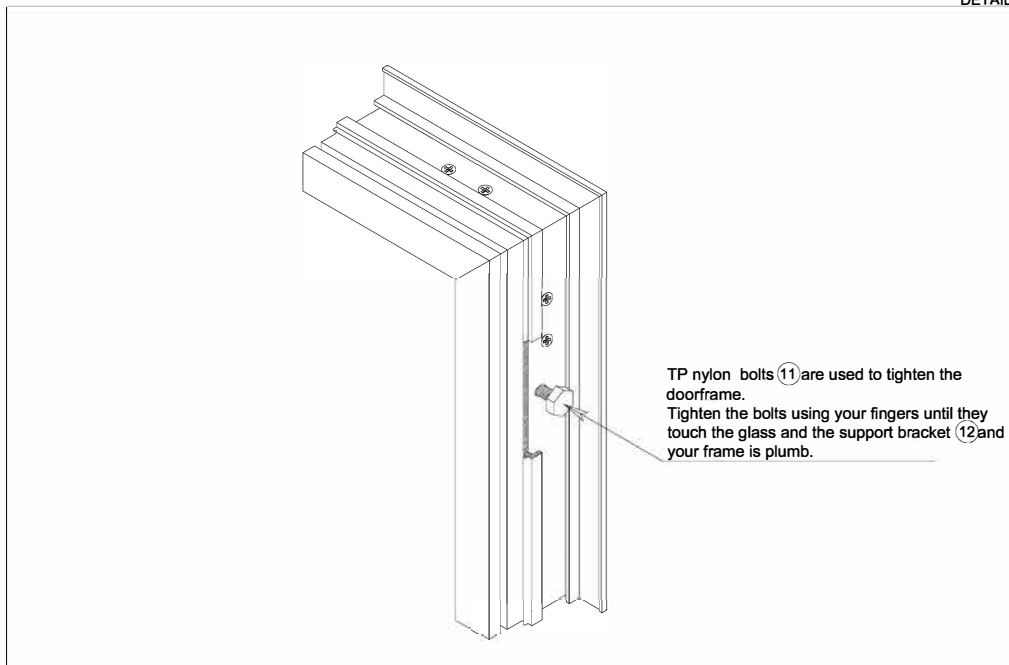


DETAIL 5



Insertion of U-runner - see TRIPLAN LITE® 34 - 43 dB installation guide

DETAIL 6



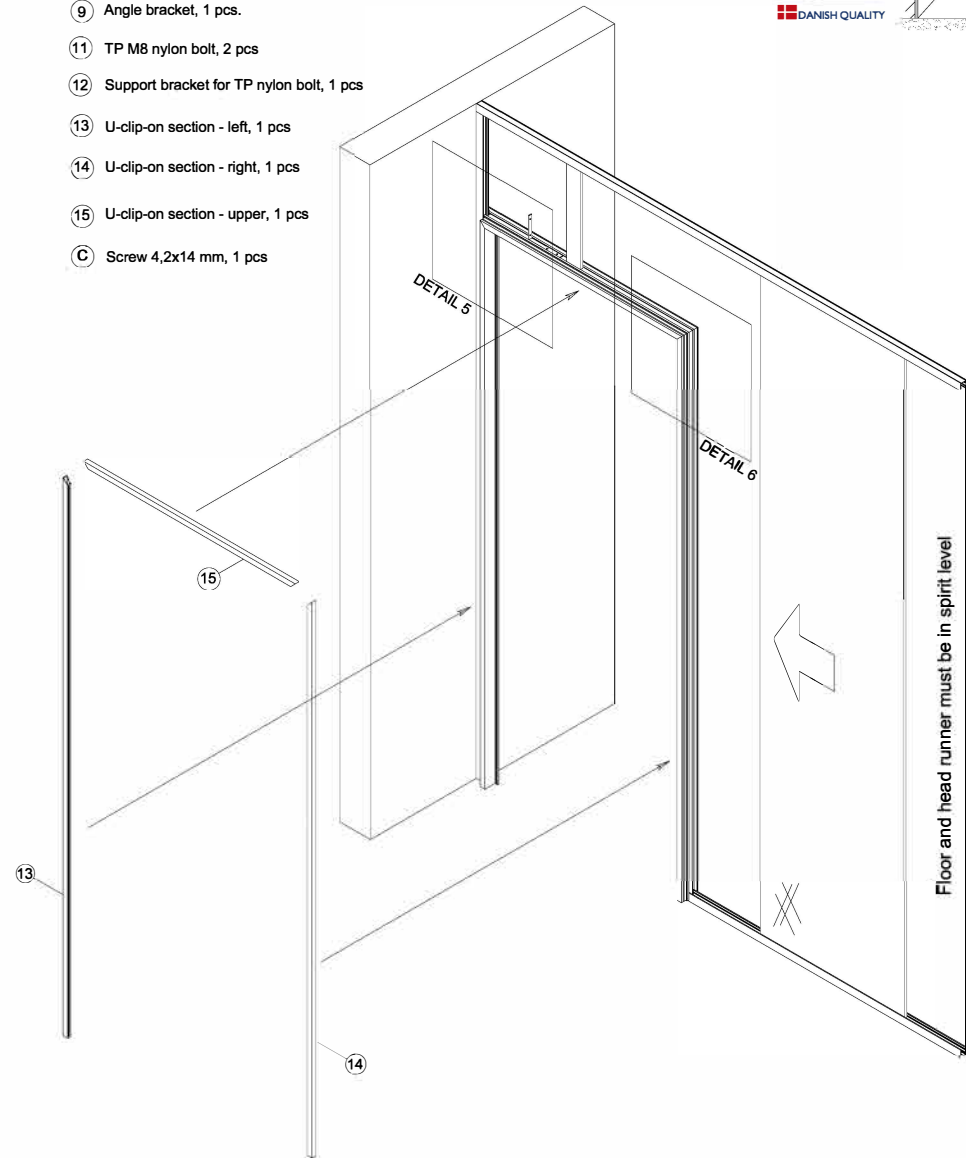
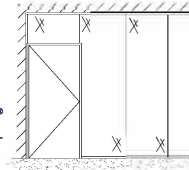
TRIPLAN LITE® 34 - 43 dB

Installation guide for a T-frame with the glass above the door frame next to a solid wall - phase 3:

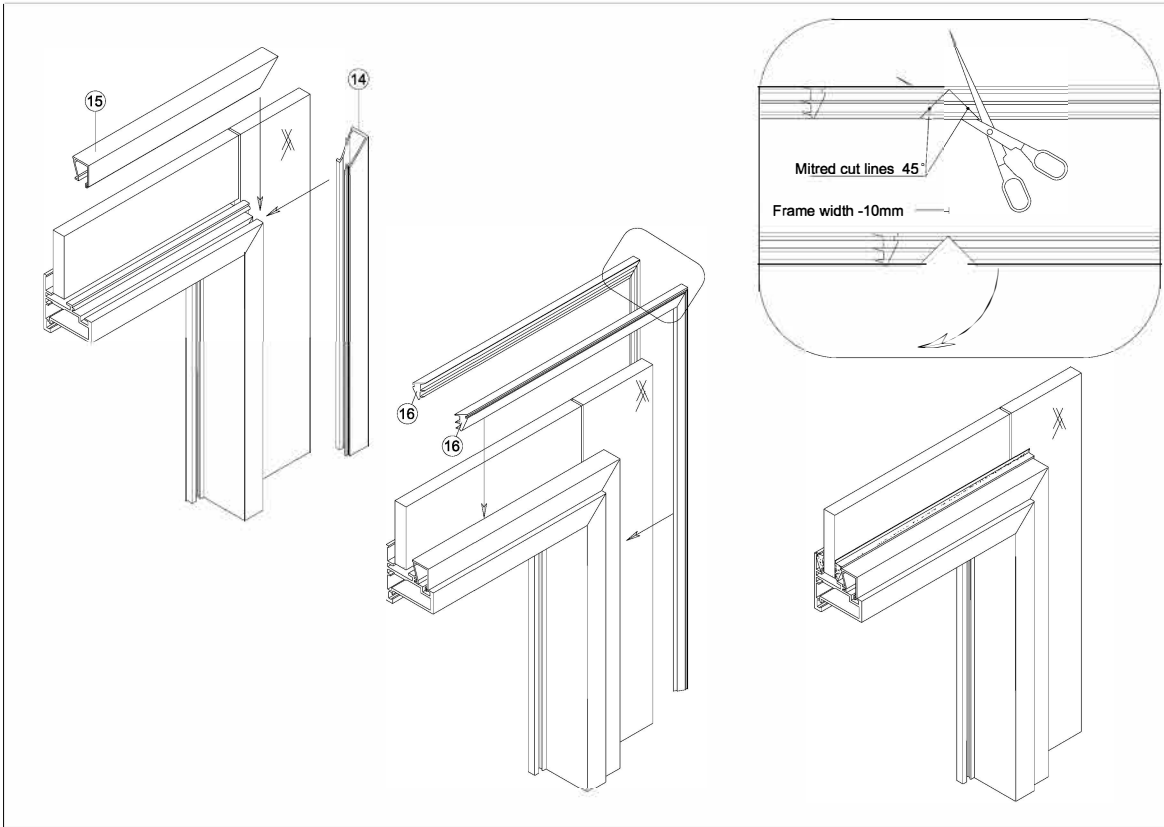
- adjustment of the T- frame
- fixation of the T- frame to the solid wall - use pre-drilled holes and angle bracket
- fixation of the T- frame to a ceiling - use angle bracket
- adjacent glass modules and fitting of u-clip-on sections

- ⑨ Angle bracket, 1 pcs.
- ⑪ TP M8 nylon bolt, 2 pcs
- ⑫ Support bracket for TP nylon bolt, 1 pcs
- ⑬ U-clip-on section - left, 1 pcs
- ⑭ U-clip-on section - right, 1 pcs
- ⑮ U-clip-on section - upper, 1 pcs
- Ⓒ Screw 4,2x14 mm, 1 pcs

3C

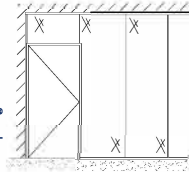
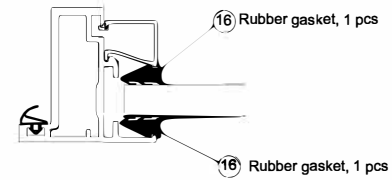


DETAIL 7

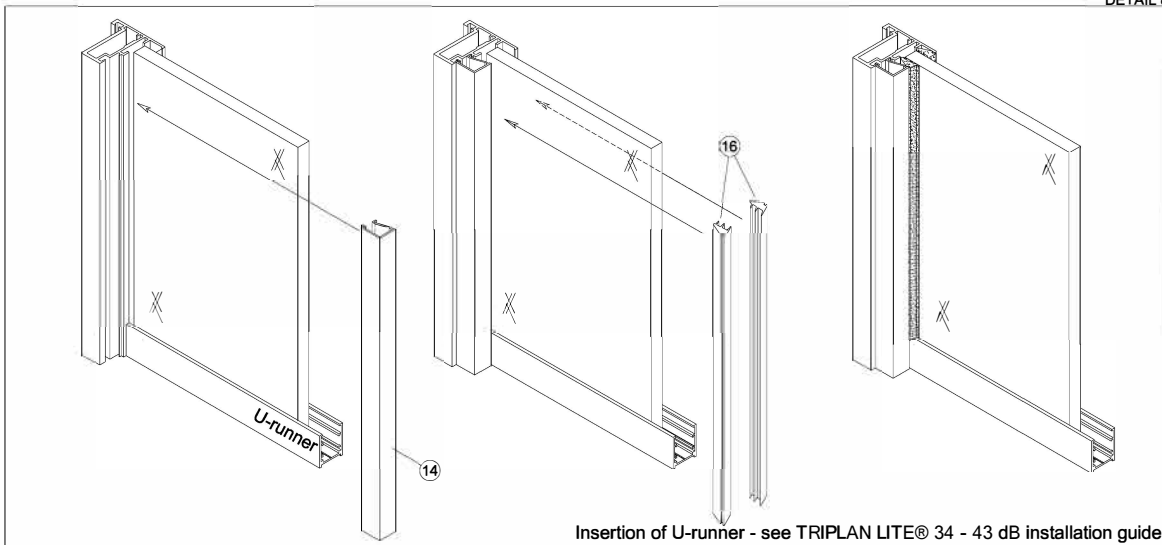


TRIPLAN LITE® 34 - 43 dB
 Installation guide for a T-frame with the glass above the door frame
 next to a solid wall - phase 4:
 - fitting of rubber gaskets

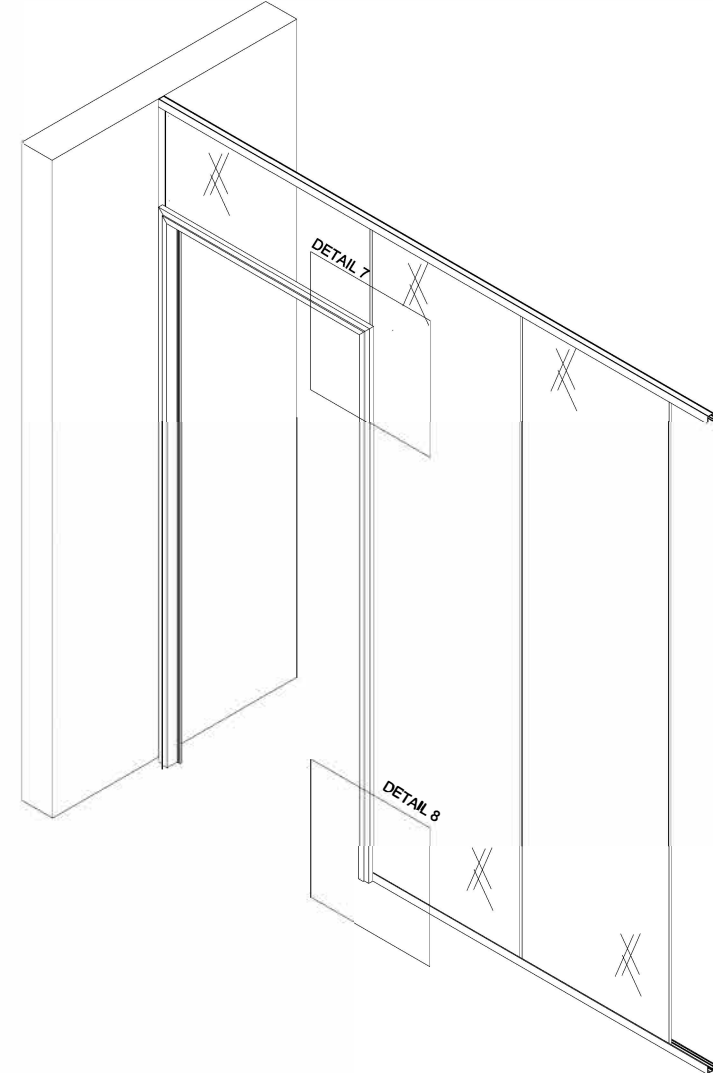
4C

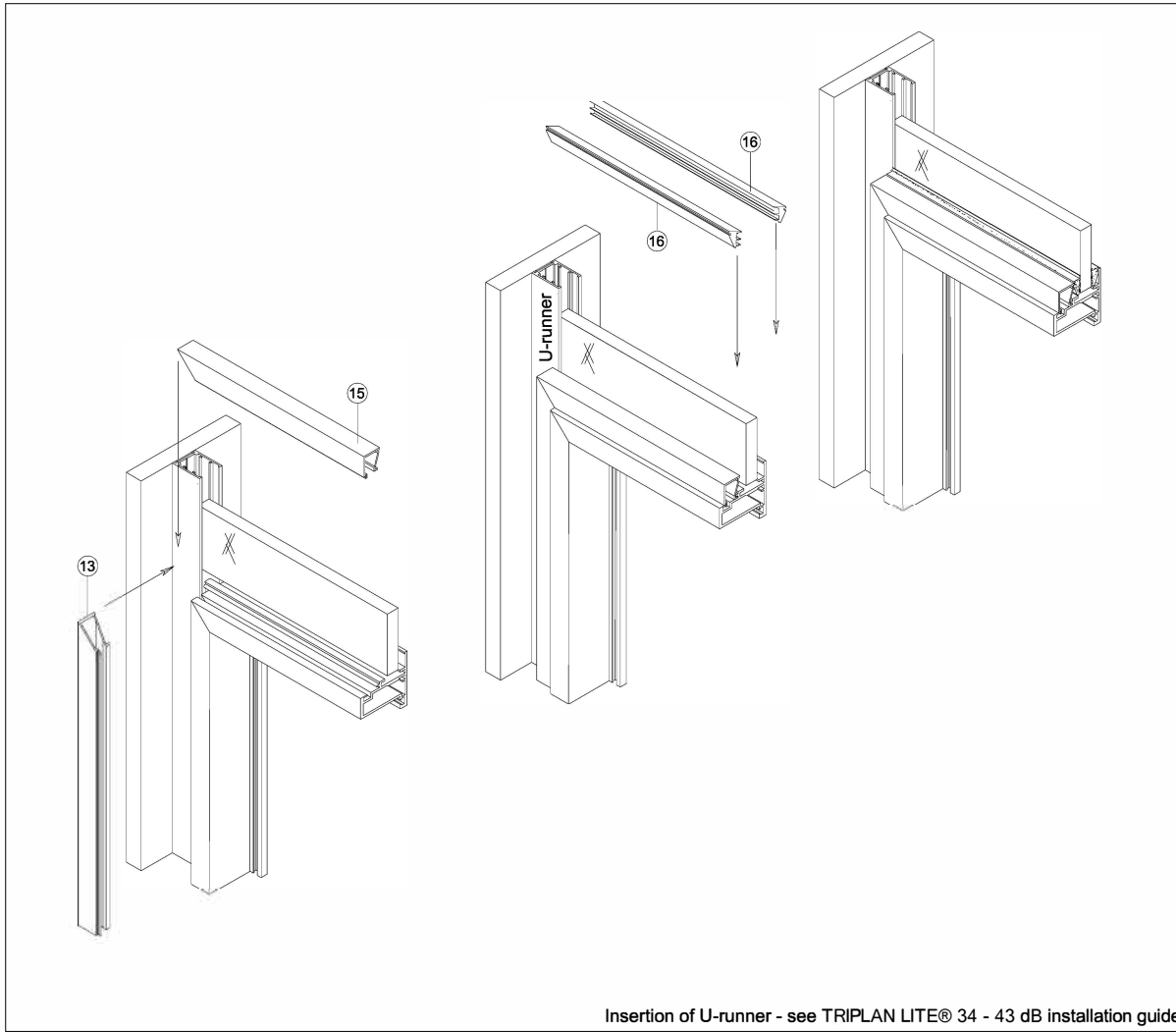


DETAIL 8



Insertion of U-runner - see TRIPLAN LITE® 34 - 43 dB installation guide

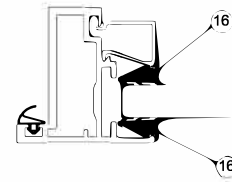




TRIPLAN LITE® 34 - 43 dB

Installation guide for a T-frame with the glass above the door frame next to a solid wall - phase 5:

-fitting of rubber gaskets



5C

