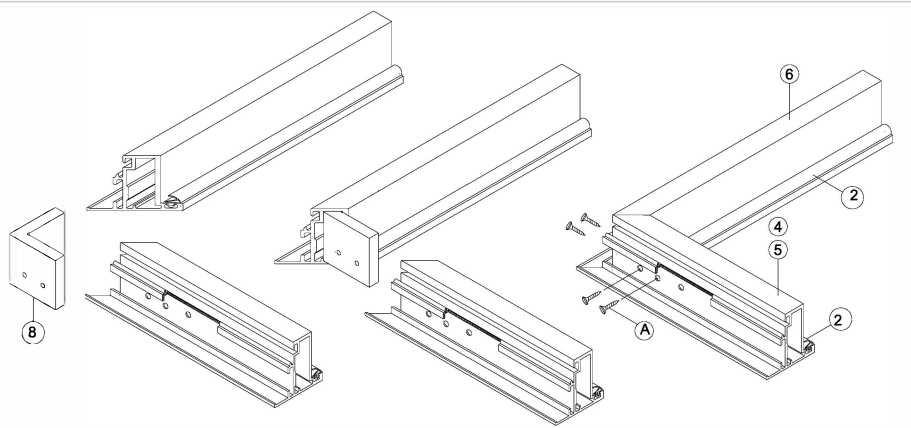


DETAIL 1

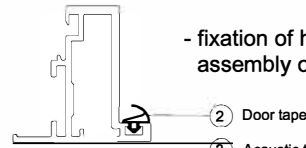


Fit the angles (8) to the vertical frame members (4) (5)  
Fit the angles (8) to the upper frame (6)

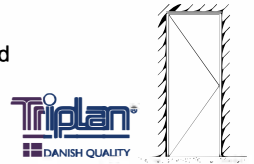
**TRIPLAN LITE® 34 - 43 dB**  
Installation guide for a T - frame in a concrete wall opening - phase 1:

1E

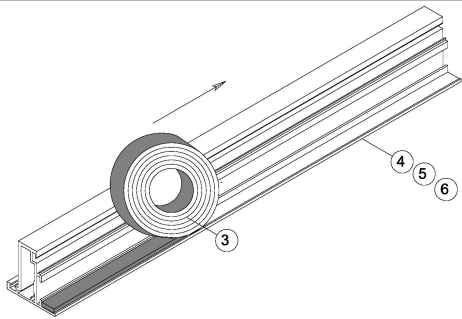
- fixation of hinges, strike plate, acoustic tape, door tape and assembly of the T- frame



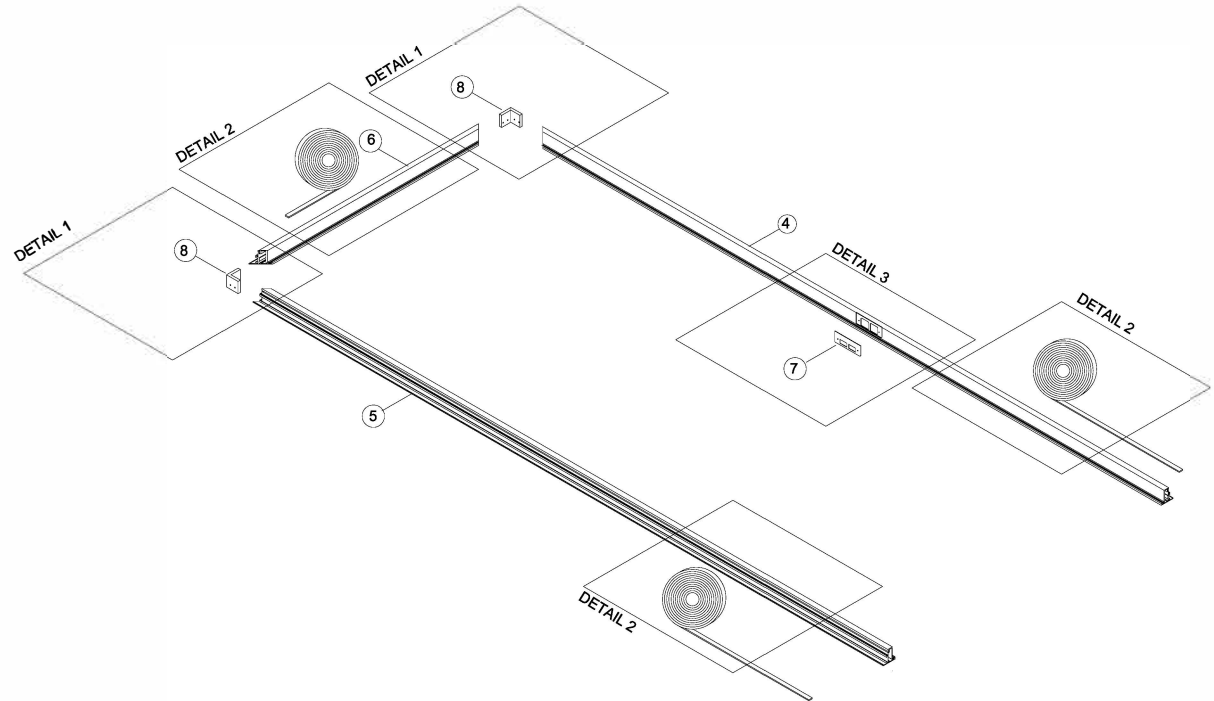
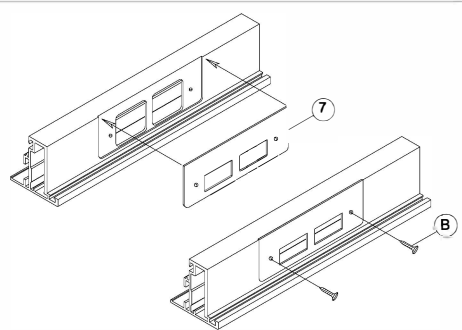
- (2) Door tape
- (3) Acoustic tape 2x14 mm
- (4) T- frame, strike plate side, 1 pcs.
- (5) T- frame, hinge side, 1 pcs.
- (6) T- frame, upper frame, 1 pcs.
- (7) Strike plate, 1 pcs.
- (8) Angle for joining of corners, 2 pcs.
- (A) Screw 5x16 mm, 8 pcs.
- (B) Screw 3x6 mm, 2 pcs.



DETAIL 2



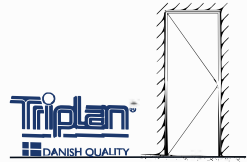
DETAIL 3



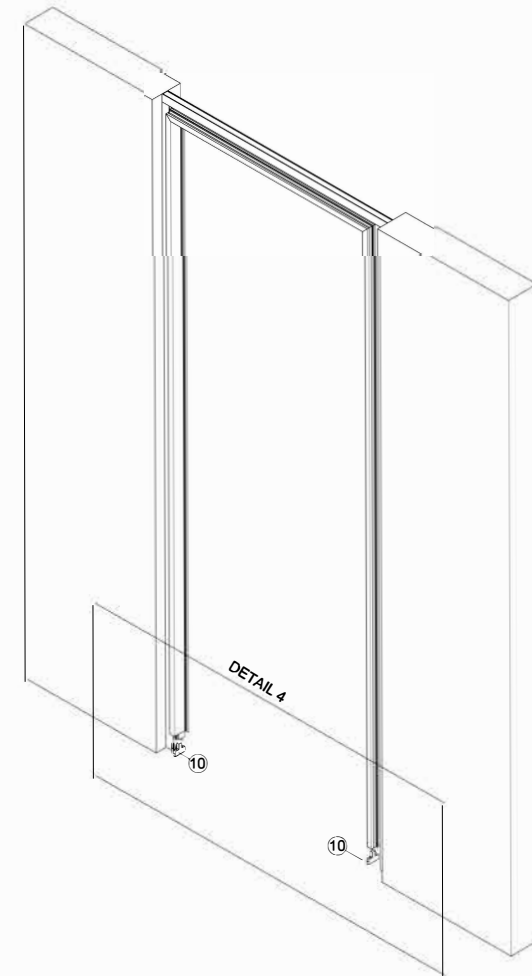
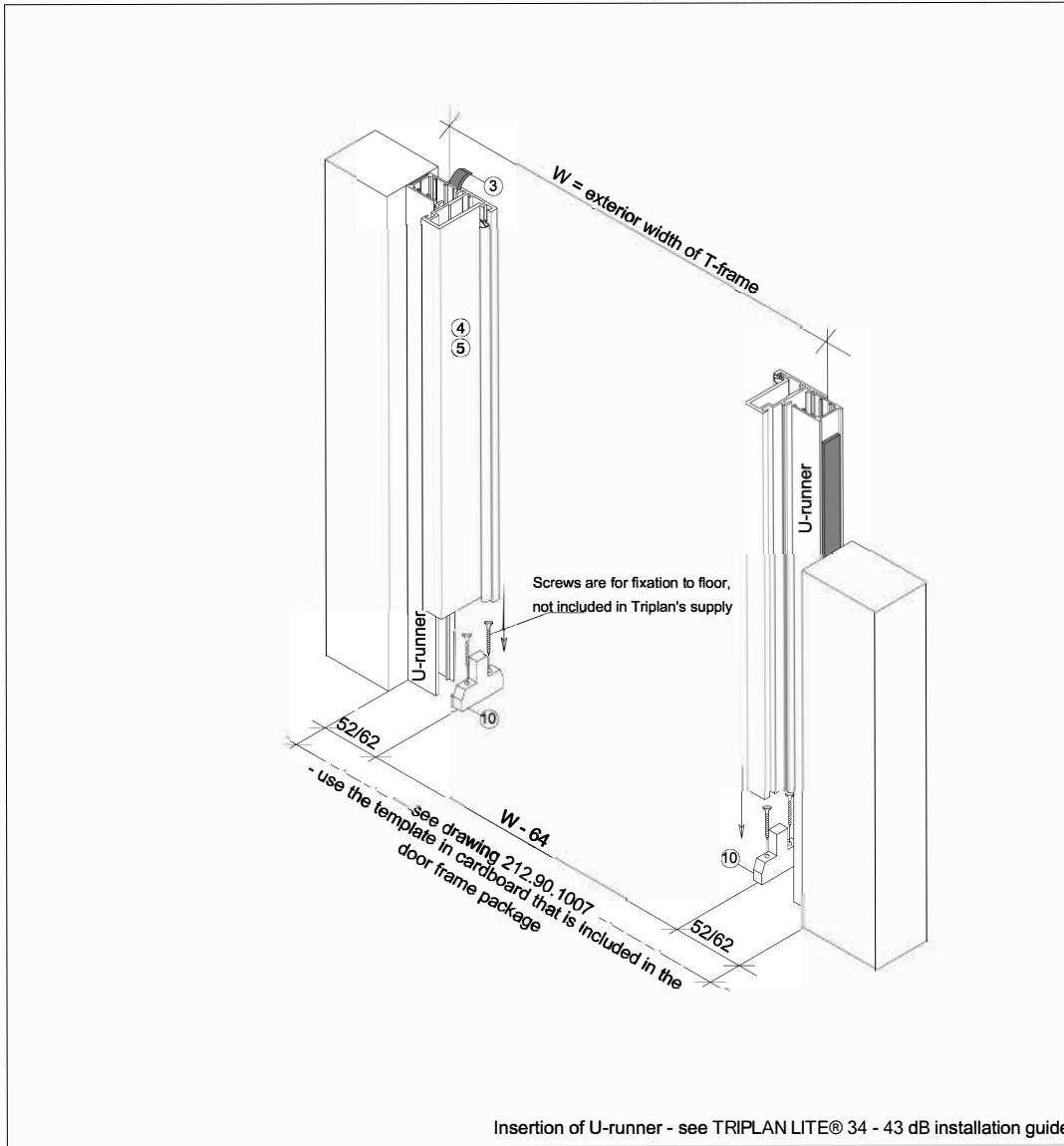
**TRIPLAN LITE® 34 - 43 dB**  
 Installation guide for a T - frame in a concrete  
 wall opening - phase 2:

- fixation of floor brackets

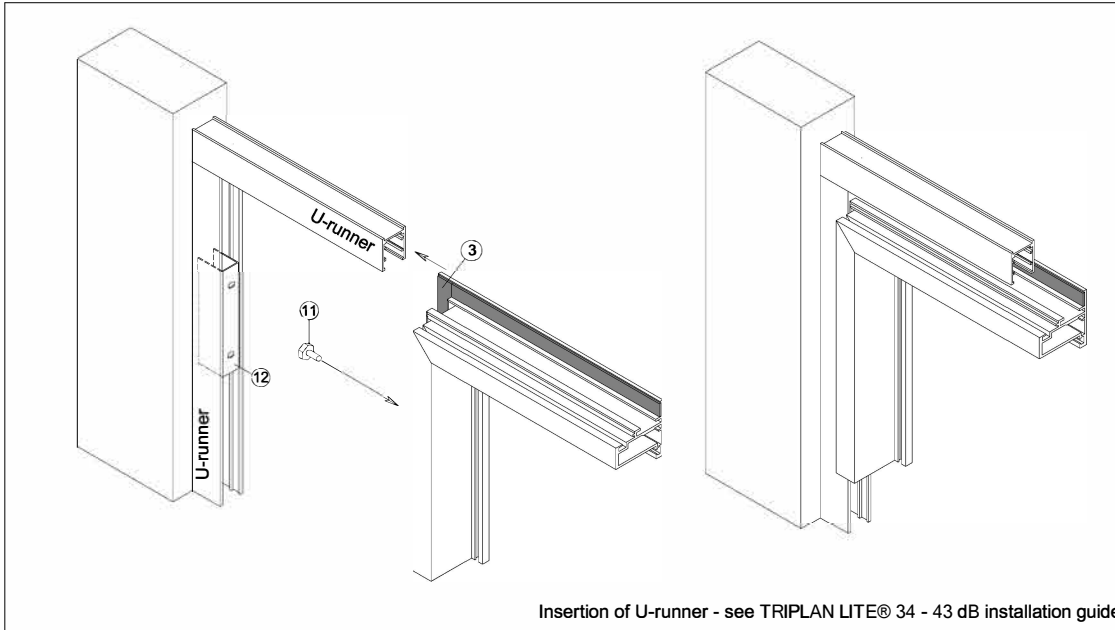
- ⑩ Floor bracket, 2 pcs



DETAIL 4



DETAIL 5

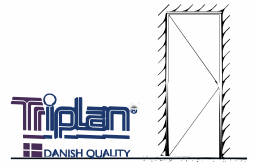


### TRIPLAN LITE® 34 - 43 dB

Installation guide for a T - frame in a concrete wall opening - phase 3:

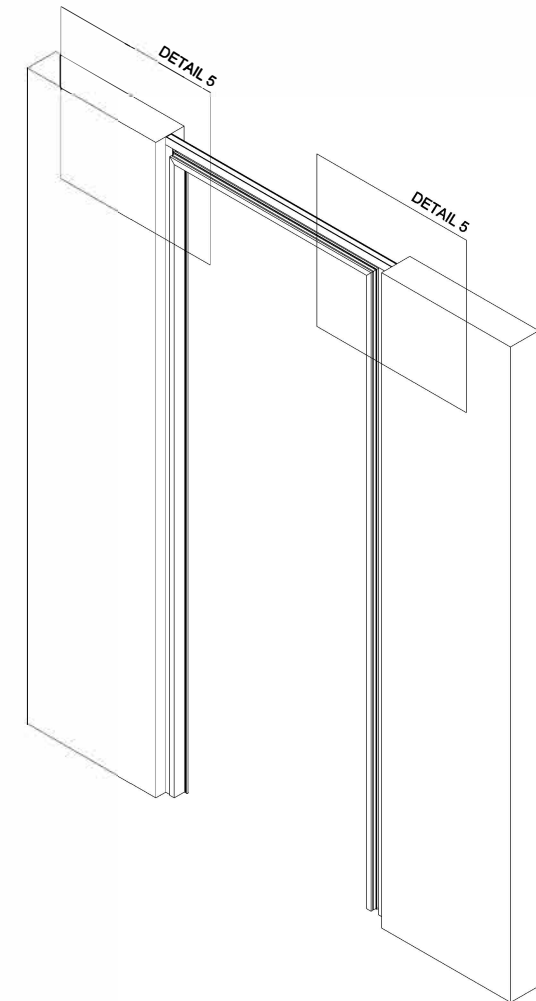
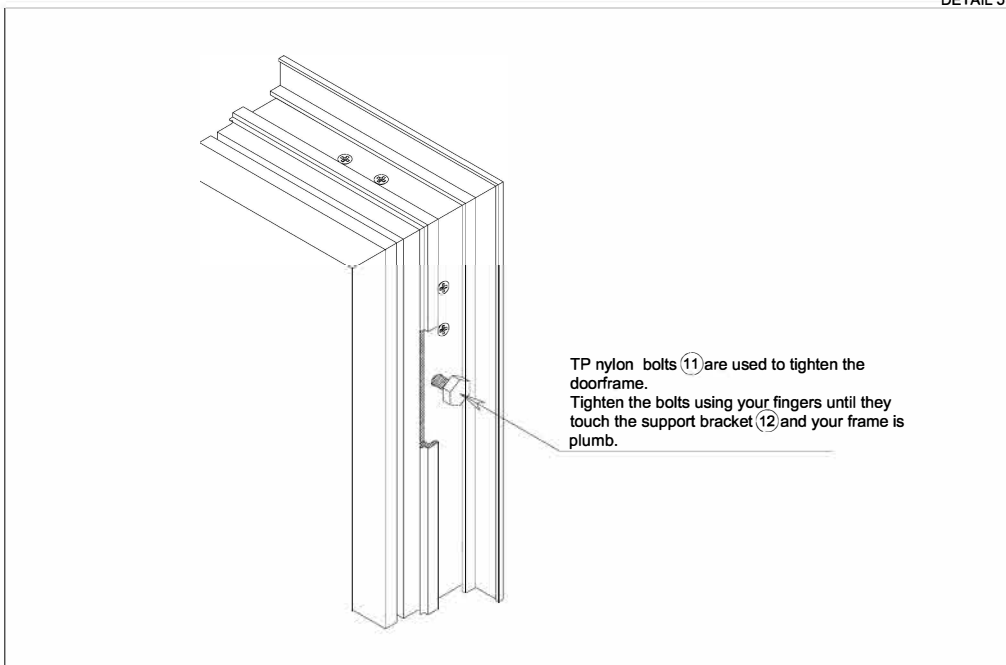
- adjustment of the T- frame
- fixation of the T- frame to the solid wall - use pre-drilled holes

- ① TP M8 nylon bolt, 2 pcs
- ② Support bracket for TP nylon bolt, 1 pcs



# 3E

DETAIL 5 A



## TRIPLAN LITE® 34 - 43 dB

Installation guide for a T - frame in a concrete wall opening - phase 4:

- fitting of u-clip-on sections

