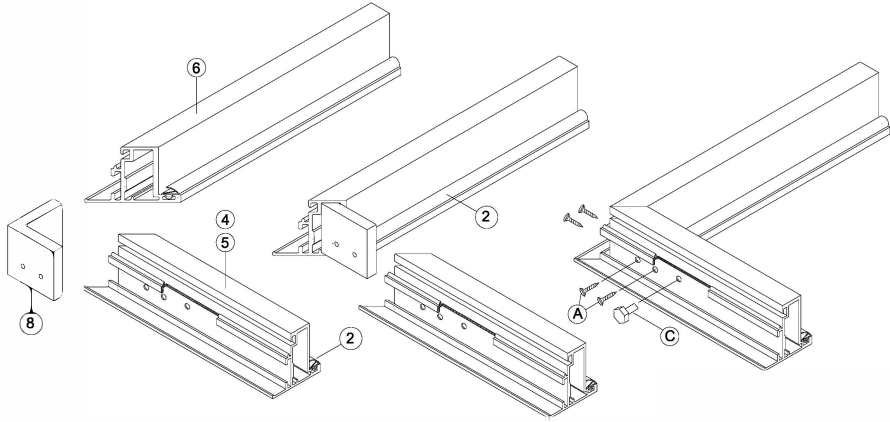


DETAIL 1



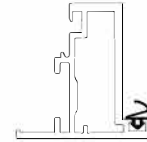
Samlevinklerne fastgøres først til overkarm (6) og bagefter skrues til sidekarmene (4) (5)

- 1) Fit angle (8) to the vertical frame (4) (5)
- 2) Fit angle (8) to the upper frame (6)

TRIPLAN LITE® 34 - 43 dB

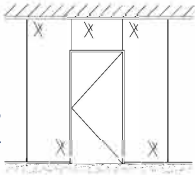
Installation guide for a T - frame with glass above and glass modules on both sides, phase 1:

- fixation of strike plate, hinge and assembly of the T - frame

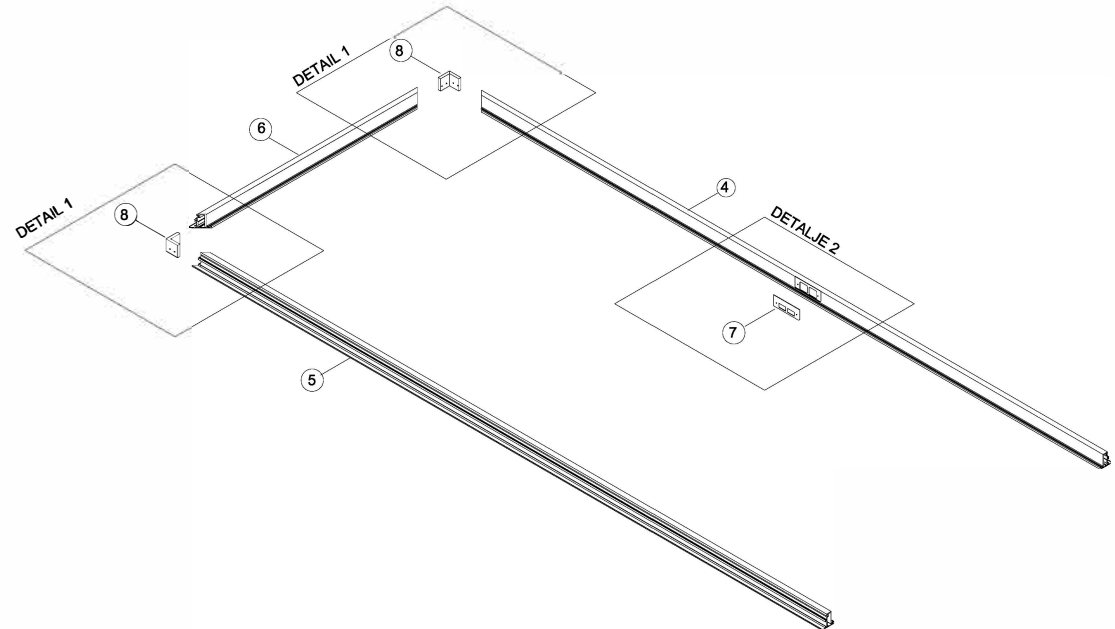
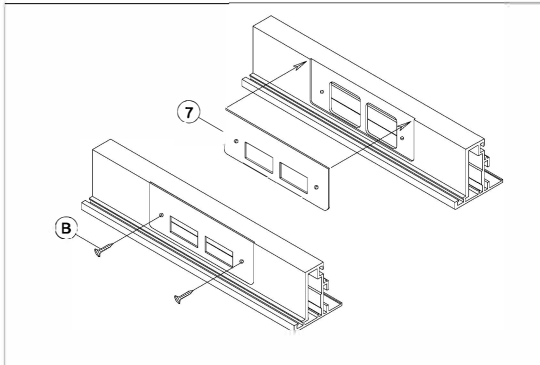


- (2) Door tape
- (4) T - frame, strike plate side, 1 pcs.
- (5) T - frame, hinge side, 1 pcs.
- (6) T - frame, upper frame, 1 pcs.
- (7) Strike plate, 1 pcs.
- (8) Angle for joining of corners, 2 pcs.
- (A) Screw 5x16 mm, 8 pcs.
- (B) Screw 3x6 mm, 2 pcs.
- (C) TP M8 nylon bolt 2 pcs.

1A

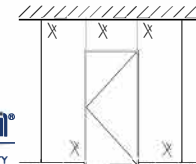


DETAIL 2

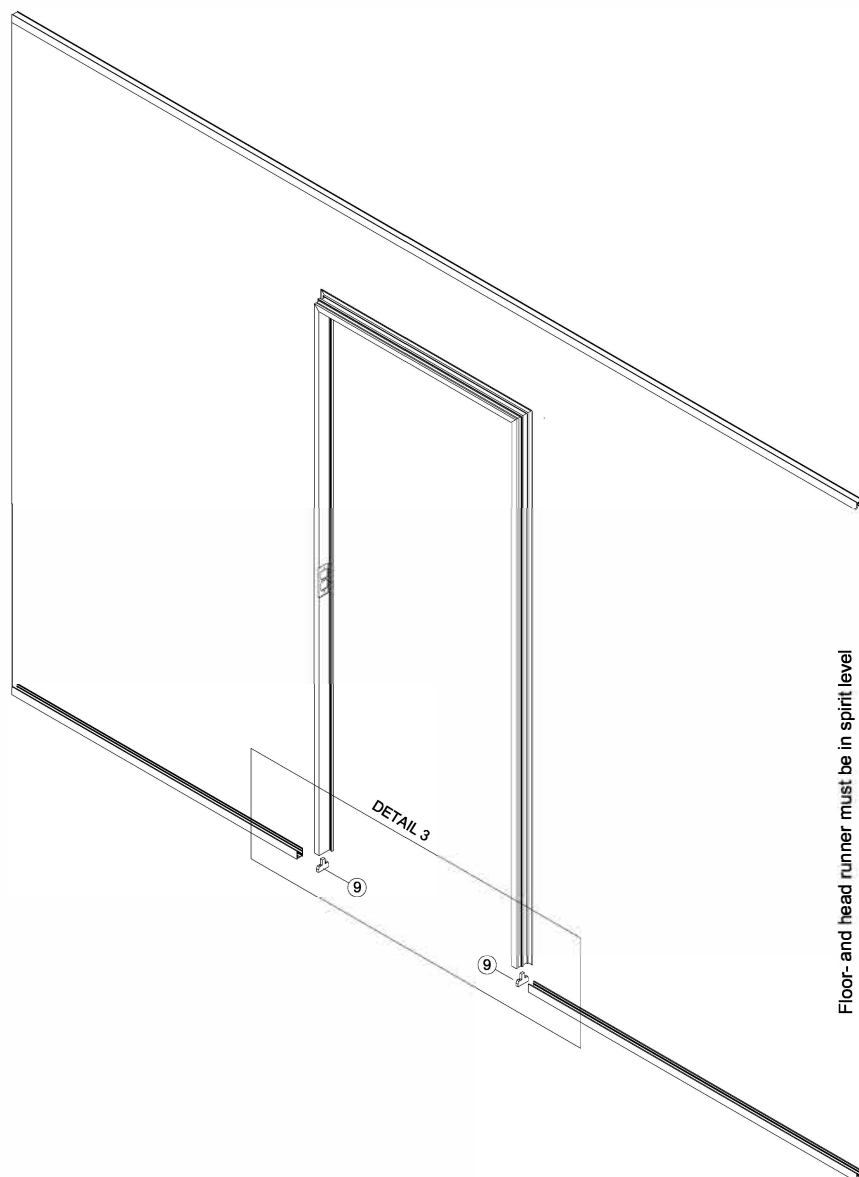


TRIPLAN LITE® 34 - 43 dB
 Installation guide for a T - frame with glass above and glass modules on both sides, phase 2:

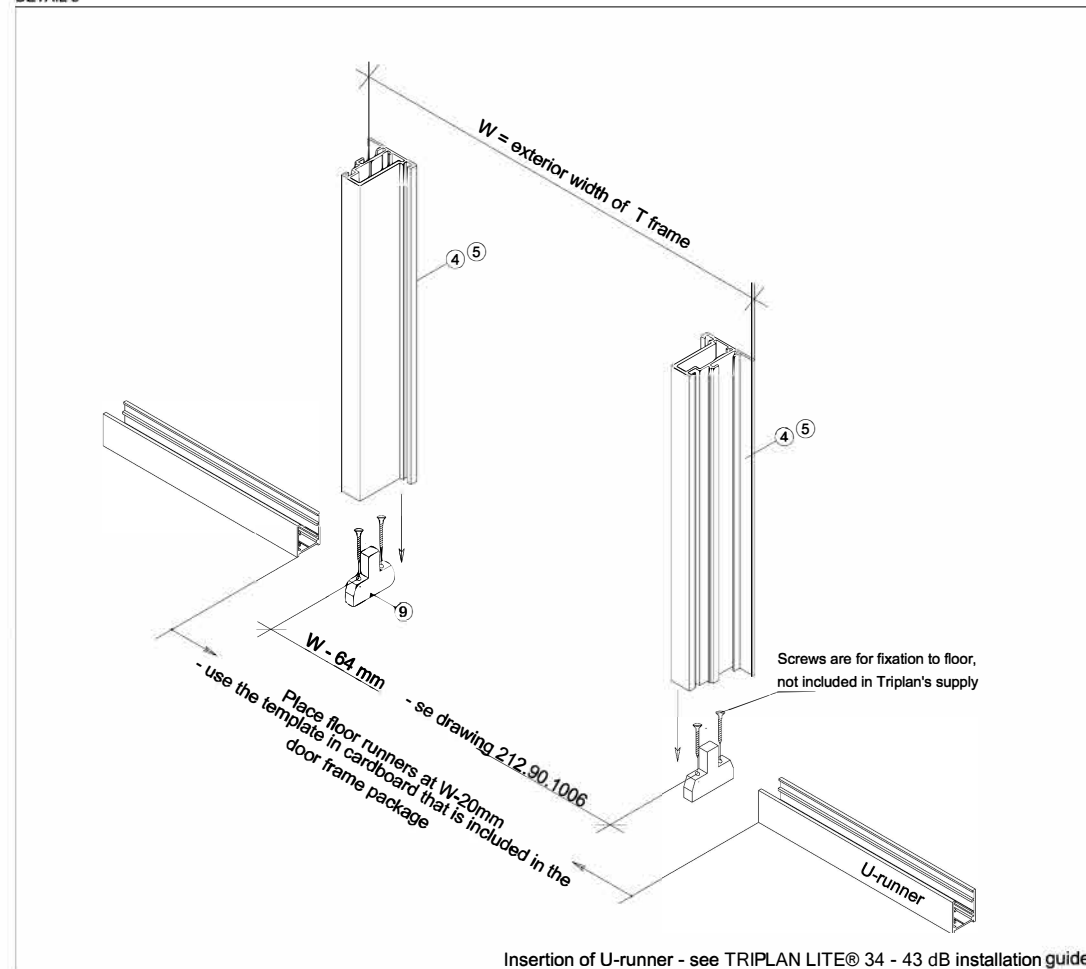
-fixation of floor bracket and assembly of T - frame in a TRIPLAN LITE® 34 - 43 dB wall



⑨ Floor bracket, 2 pcs.



DETAIL 3



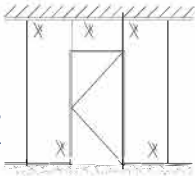
Insertion of U-runner - see TRIPLAN LITE® 34 - 43 dB installation guide

3A

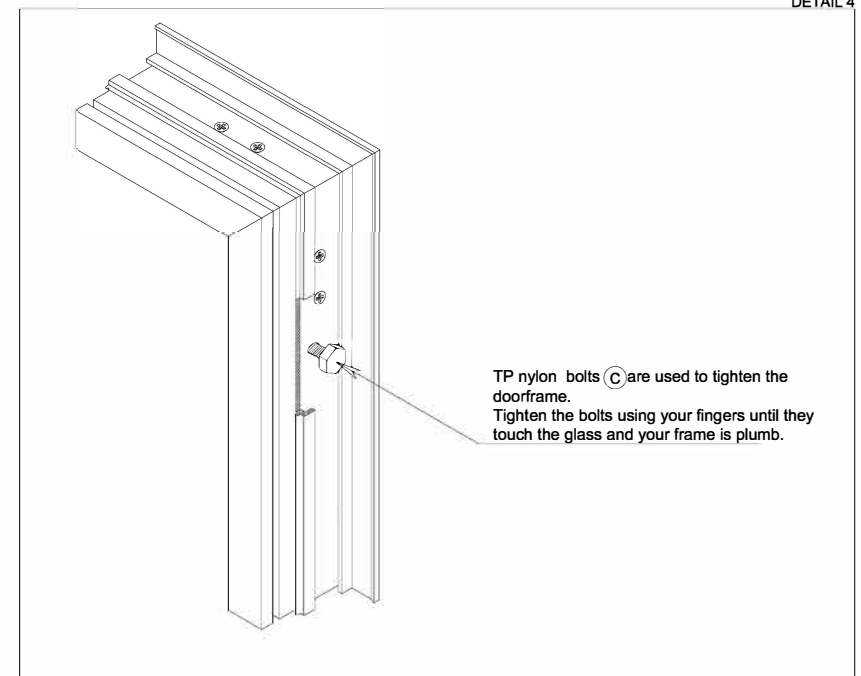
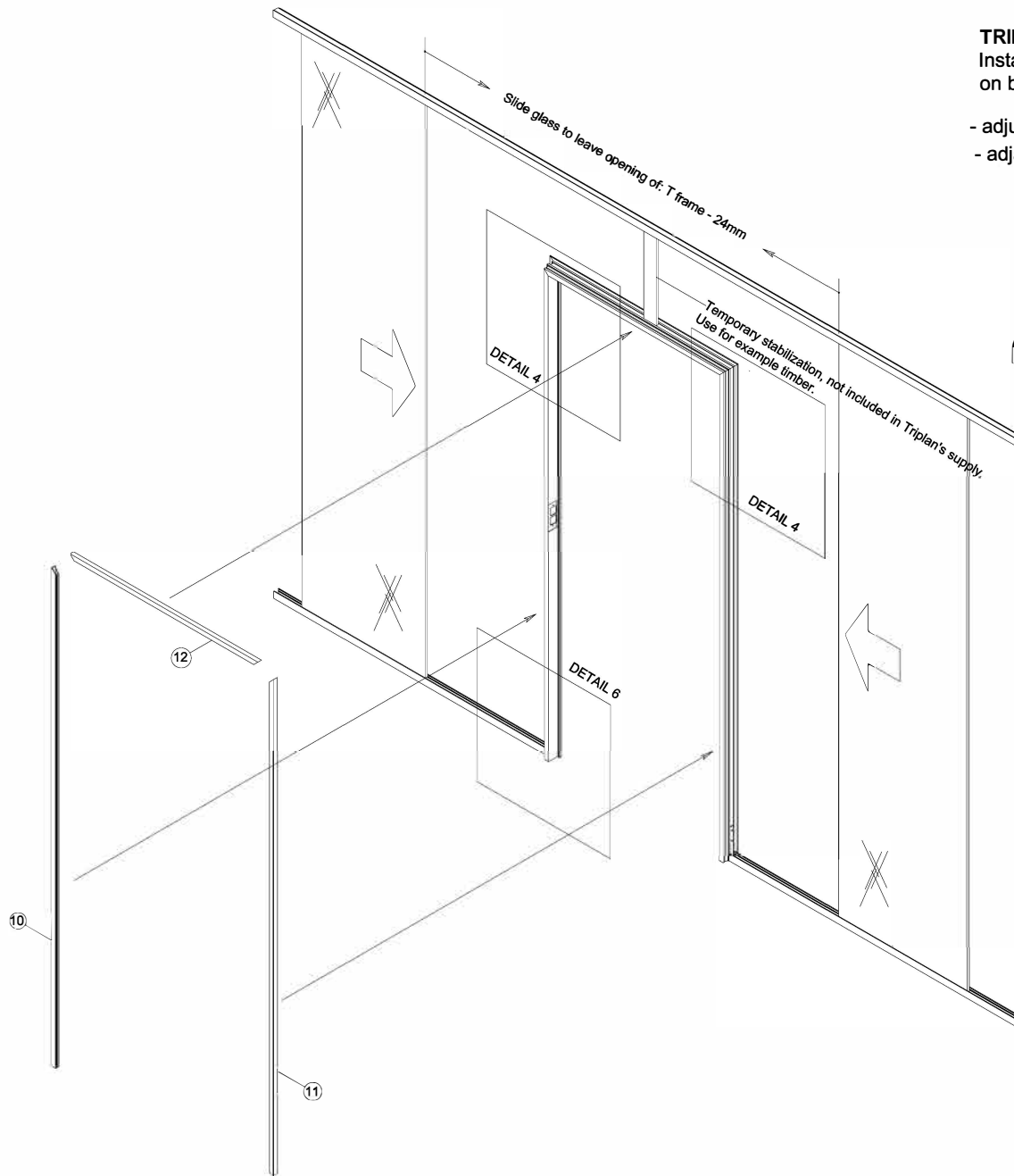
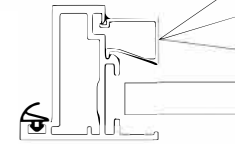
TRIPLAN LITE® 34 - 43 dB

Installation guide for a T - frame with glass above and glass modules on both sides, phase 3:

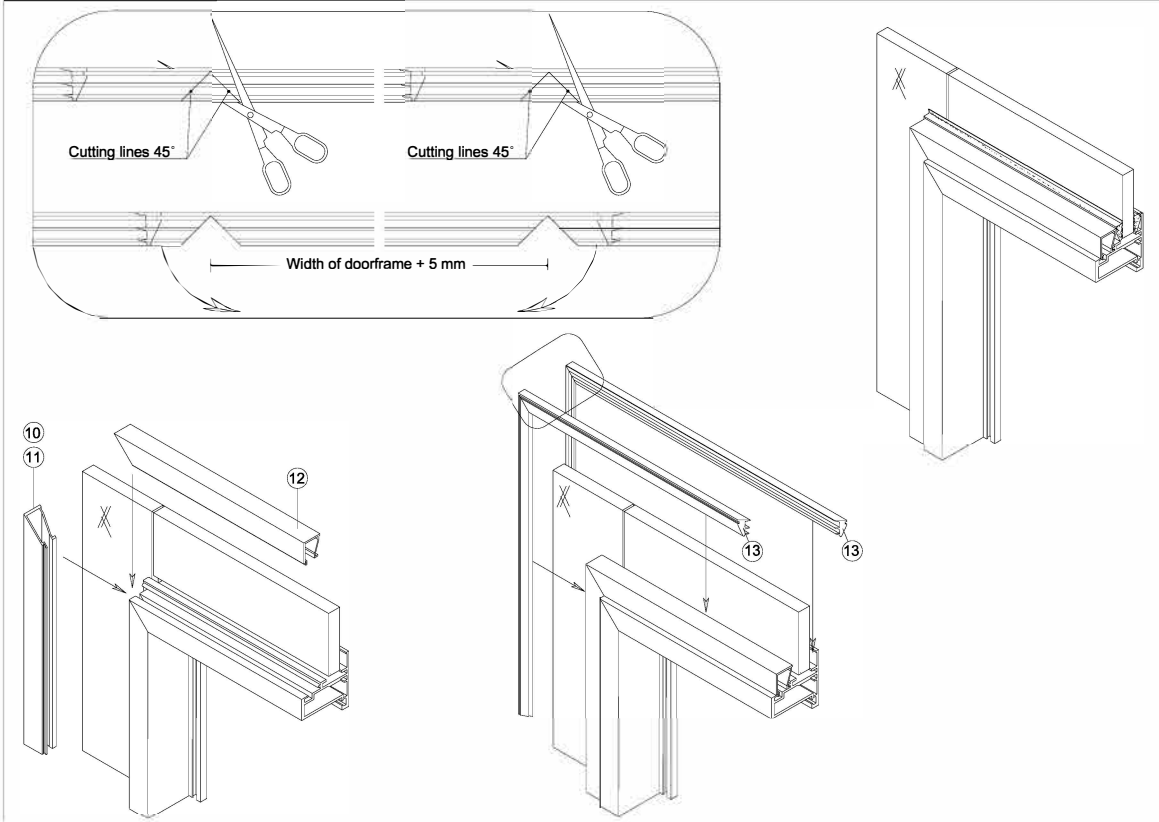
- adjustment of the T - frame
- adjacent glass modules and fitting of u-clip-on sections



- ⑩ U-clip-on section - left, 1 pcs
- ⑪ U-clip-on section - right, 1 pcs
- ⑫ U-clip-on section - upper, 1 pcs



DETAIL 5

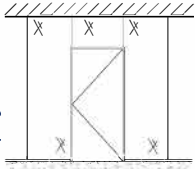
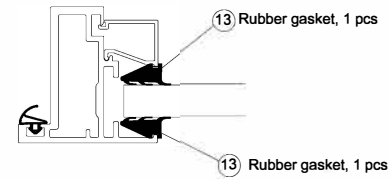


TRIPLAN LITE® 34 - 43 dB

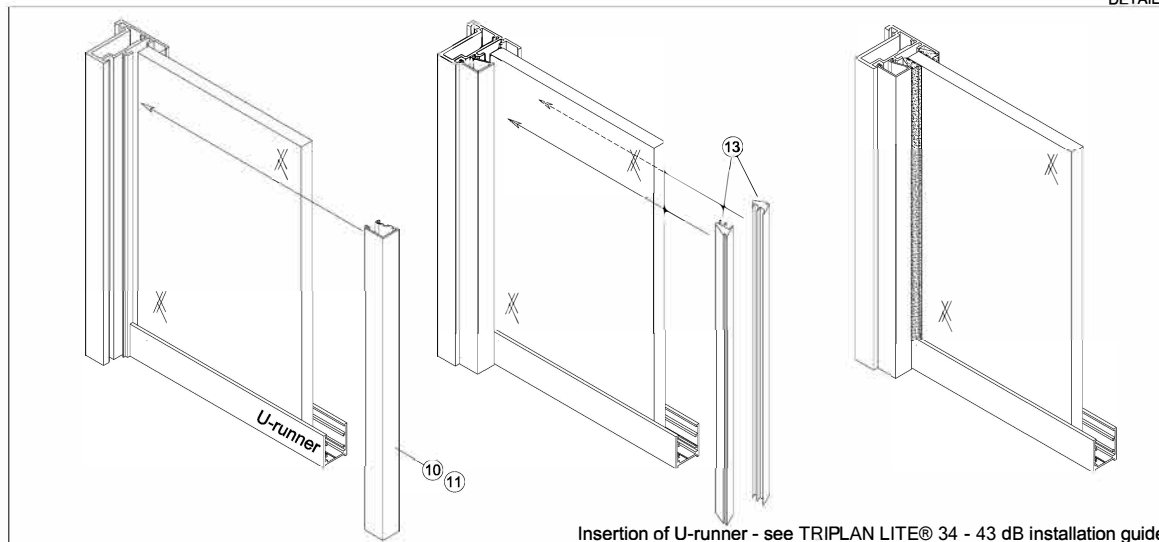
Installation guide for a T - frame with glass above and glass modules on both sides, phase 4:

4A

-fitting of rubber gaskets



DETAIL 6



Insertion of U-runner - see TRIPLAN LITE® 34 - 43 dB installation guide

