

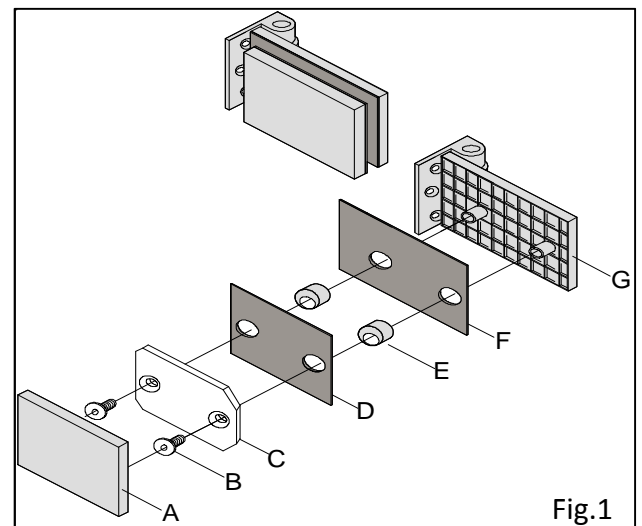
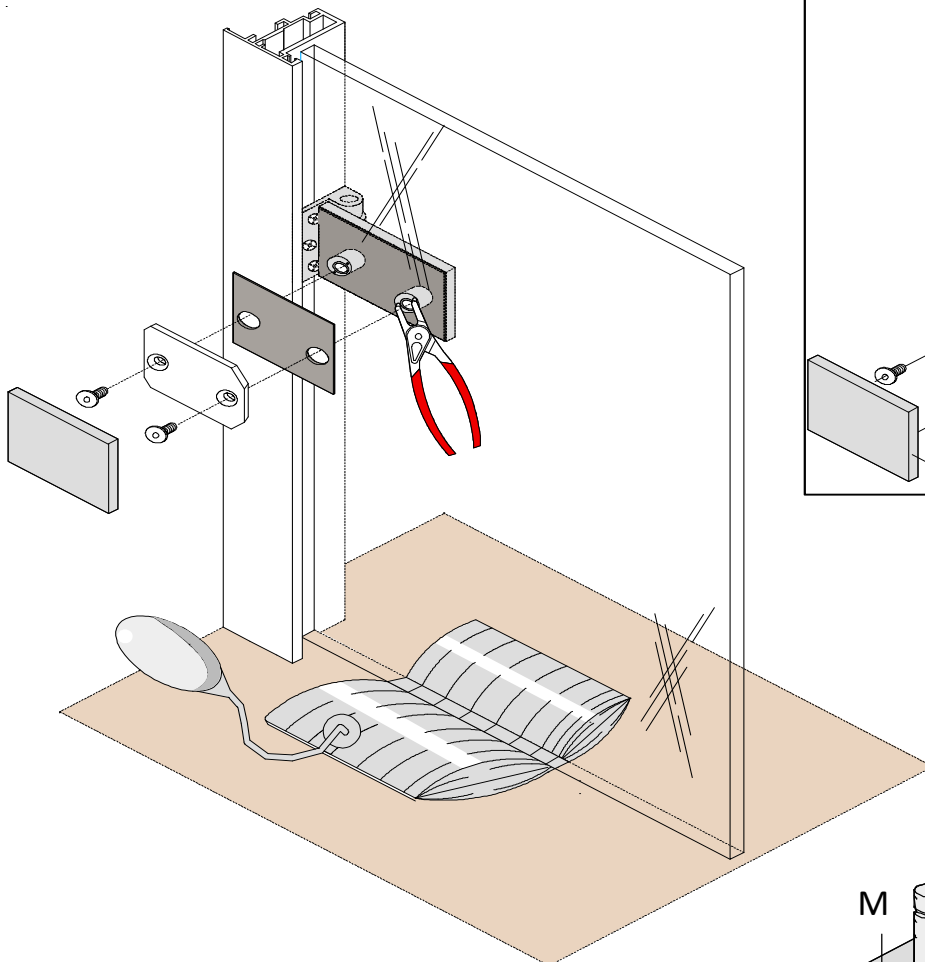
TRIPLAN LITE® - installation of a glazed door



The door frame - depending on type and location - is assembled and fitted as per the individual installation guides.

The glazed door can be adjusted in the hinges by following this procedure:

1. Glue interlayer F onto glass bracket G: The thick interlayer suits door thickness 10mm. The thin interlayer suits door thickness 12 and 12.76mm.
2. Demount cover A using an Allen hex key in pivot screw K.
3. Demount item C.
4. Glue the thin interlayer D onto item C.
5. Place the glazed door on a pump wedge (article [1364800000](#)) or a nylon wedge and lift the door so that it can be hung onto the nylon rings D.
6. The nylon rings D are asymmetrical for levelling purposes.
7. Use the tool (article [1365400000](#)) that can enter into the 2 small holes in the nylon rings, in order to adjust the door's position. Never do this without having lifted the door using either a wedge or suction pads.
8. Once the door has been properly adjusted and when air below the door is 9mm, then refit item C on item E using screws B.
9. Cover A is fixed using pivot screw K. Make sure that the hole faces towards the door frame.



! IMPORTANT!

The hinge pin has a groove in one of the ends. It's very important that the point of the pivot screw M is screwn fully into the groove and that it is ensured that the pivot screw M is always tightened.

