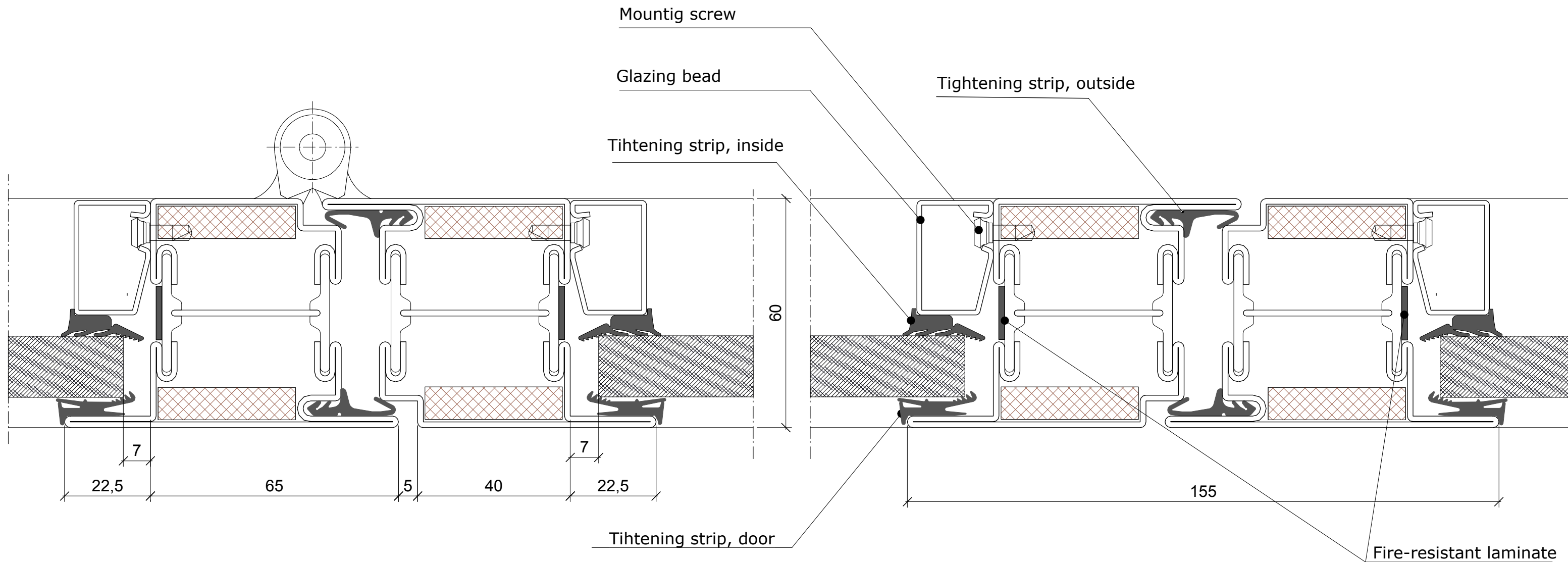
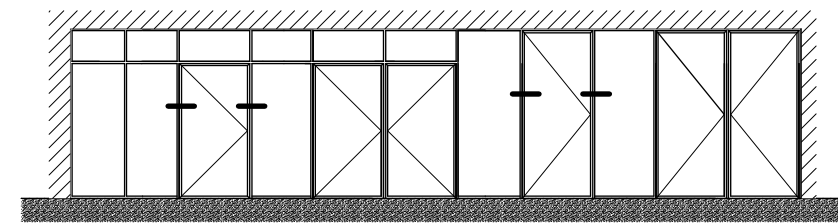


Materials Used		
Item no.	Item	Dimension
2203.	Glazing bead	
2204	Tightening strip, indiv.	
22002	Profile	85x50mm
22006	Profile	85x50
22042	Tightening strip, outside	
22046	Door weatherstrip	
22070	Mounting screw	16 mm
	Glass	

Remarks: _____

Revisions: _____


 OFFICE PARTITIONS	Case:	Draw. no.:
	Subject: Jansen system Economy 50/E30/E60 Module joint, inward opening door	314.10.1002
		Scale: Case no.:
		1:1
		Date: Rev. date:
		07.08.14, bn

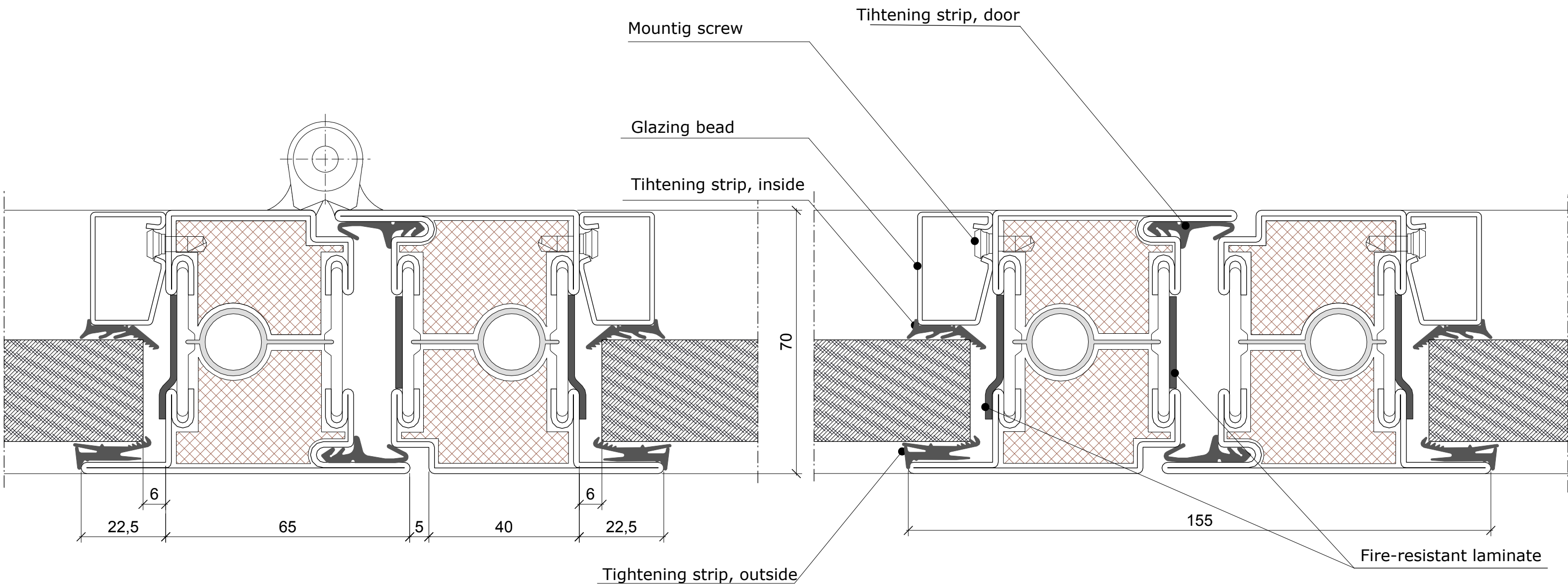
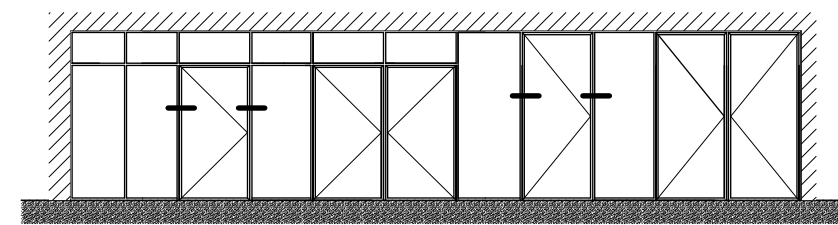


Materials Used		
Item no.	Item	Dimension
2203	Glazing bead	
2204	Tightening strip, indiv.	
22011	Profile	87,5x60mm
22015	Profile	65x60mm
22040	Door weatherstrip	
22042	Tightening strip, outside	
22051	Fire-resistant laminate	1,5x14mm
22070	Mounting screw	16 mm
	Glass	

Remarks: _____

Revisions: _____


 OFFICE PARTITIONS	Case:	Draw. no.:
	Subject: Jansen system EI30 Module joint, inward opening door	312.10.1002
		Scale: Case no.:
		1:1
		Date: Rev. date:
		18.11.13, bn

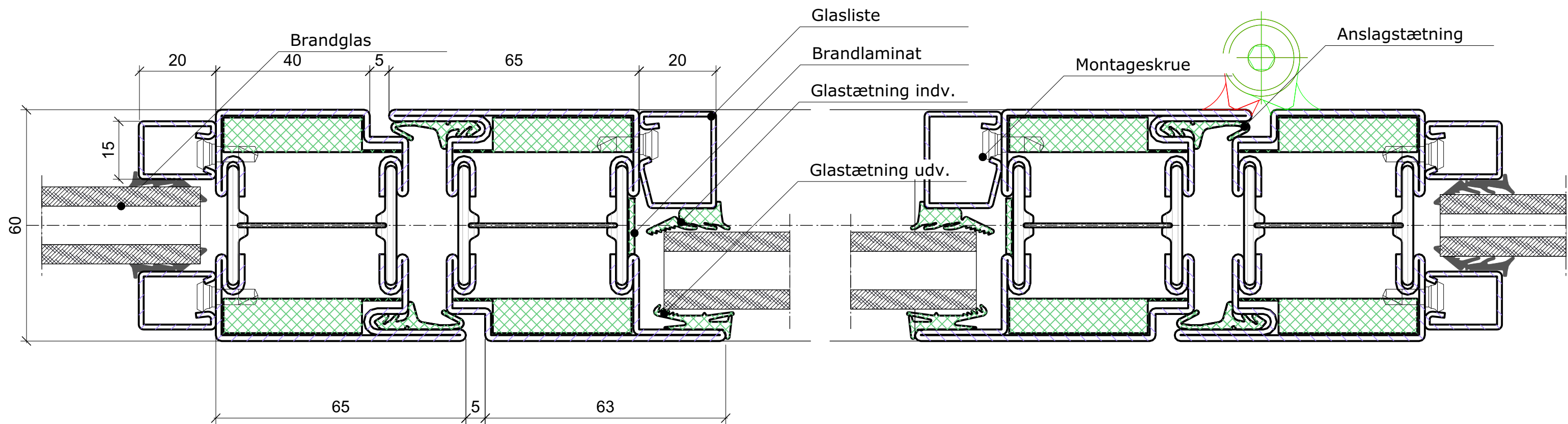


Materials Used		
Item no.	Item	Dimension
2203	Glazing bead	
2204	Tightening strip, inside	
22021	Profile	87,5x70mm
22025	Profile	65x70mm
22040	Door weatherstrip	
22042	Tightening strip, outside	
22052	Fire-resistant laminate	40mm
22053	Fire-resistant laminate	24,4mm
22070	Mounting screw	16 mm
	Glass	

Remarks: _____


Revisions: _____

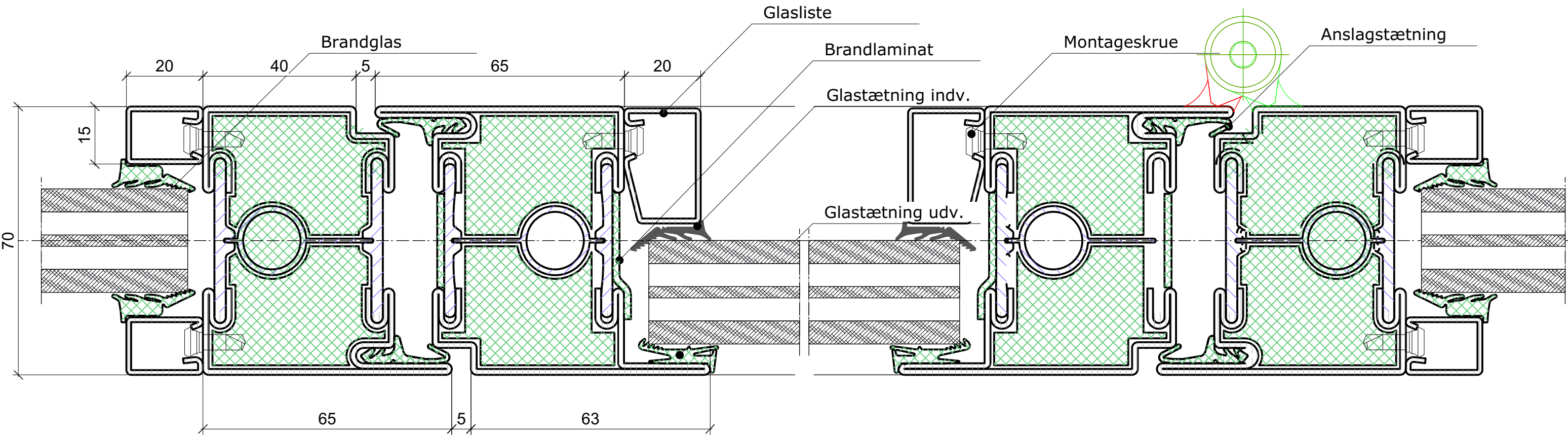
 OFFICE PARTITIONS	Case:	Draw. no.: 310.10.1002
	Subject: Jansen system EI60 Module joint, inward opening door	Case no.:
		Scale: 1:1
	Date: 18.11.13, bn	Rev. date:



O:\System vægge\TP Fire stål\Jansen EI30\Standard detaljer


Bemærkninger: _____
 Rettelser: _____

 KONTORVÆGGE	Sag:	Tegn.nr.: 312.10.1012
	Emne: Jansen system EI30, 20mm brandglas Modulsamling enkelt dør / glasfelt	Skala: 1:1 Sagsnr.:
		Dato: 28.01.20, lma Rev. dato:



Bemærkninger:

Rettelser:

 KONTORVÆGGE	Sag:	Tegn.nr.: 310.10.1009
	Emne: Jansen system EI60, 27mm brandglas Modulsamling enkelt dør / glasfelt	Skala: 1:1 Sagsnr.:
		Dato: 29.01.20, lma Rev. dato:
Triplan International A/S - Industriskellet 12, 2635 Ishøj - Tlf.: 4353 9999, Fax: 4353 8888 - www.triplan.net, tech@triplan.net		