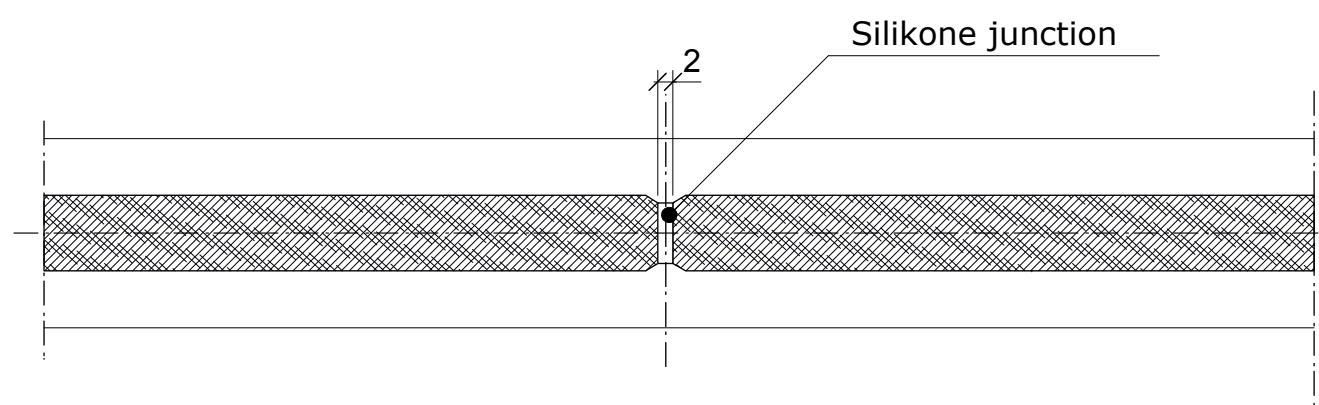



Fire glass - ContraFlam Structure Lite



Tempered/Laminated glass (not fire)

Remarks: \_\_\_\_\_

Revisions: \_\_\_\_\_

 <b>OFFICE PARTITIONS</b>	Case:	Draw. no.: <b>314.10.1004</b>
	Subject: Jansen system Economy/E30/E60 Module joint, horiz. section,	Scale: 1:1 Case no.:
		Date: 10.08.14, bn Rev. date: